

## WINDSHIELD WIPERS AND SCREENJETS

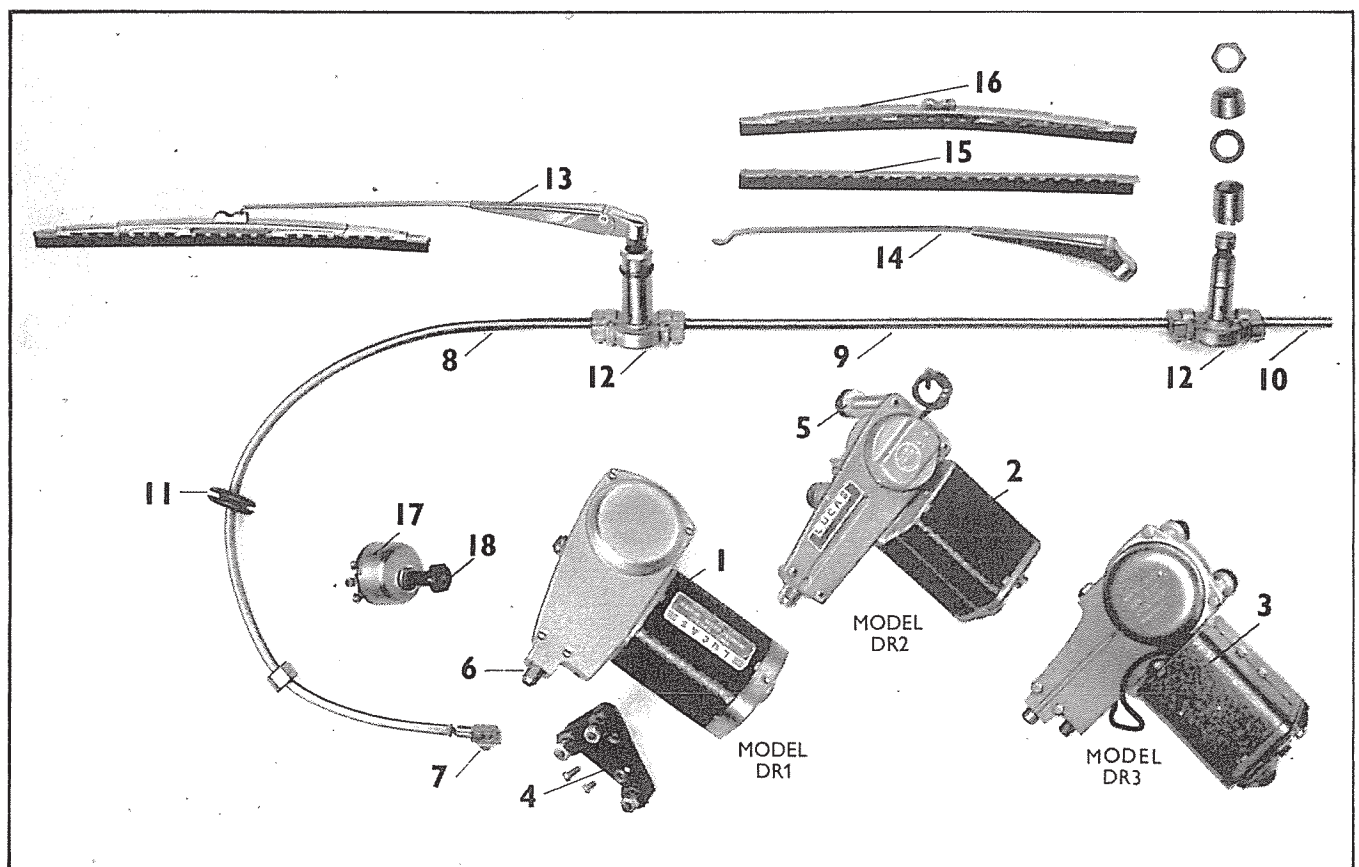
### MODELS DR1, DR2 AND DR3

#### Model Interpretation

- DR1 Rack type; dual arm; self parking; single or two speed; high powered motor incorporating thermostatic control; separate operating switch.
- DR2 Rack type; dual arm; single speed with adjustable switch for self parking. Separate operating switch.
- DR3 As DR2, but single or two speed; high powered motor incorporating thermostatic control.

The expression 'left hand' or 'right hand' is as viewed from driver's seat

#### DR1, DR2 and DR3. Dual Arm Arrangements



#### KEY TO ILLUSTRATIONS

- |  |   |  |
|--|---|--|
| 1. Motor and gearbox assembly, DR1 Model.      | 5. Fixing studs, set of parts, DR2 and DR3 Models only. | 12. Wheelbox.                          |
| 2. Motor and gearbox assembly, DR2 Model.      | 6. Ferrule, outer casing retaining.                     | 13. Arm, left hand.                    |
| 3. Motor and gearbox assembly, DR3 Model.      | 7. Rack assembly, motor to wheelboxes.                  | 14. Arm, right hand.                   |
| 4. 3-stud motor fixing plate, DR1 Models only. | 8. Outer casing, motor to 1st wheelbox.                 | 15. Rubber and backing plate assembly. |
|  | 9. Outer casing, wheelbox to wheelbox.                  | 16. Blade assembly.                    |
|  | 10. Outer casing, end tube, length 2½".                 | 17. Operating switch.                  |
|  | 11. Grommet, rubber, scuttle dash.                      | 18. Knob, operating switch.            |



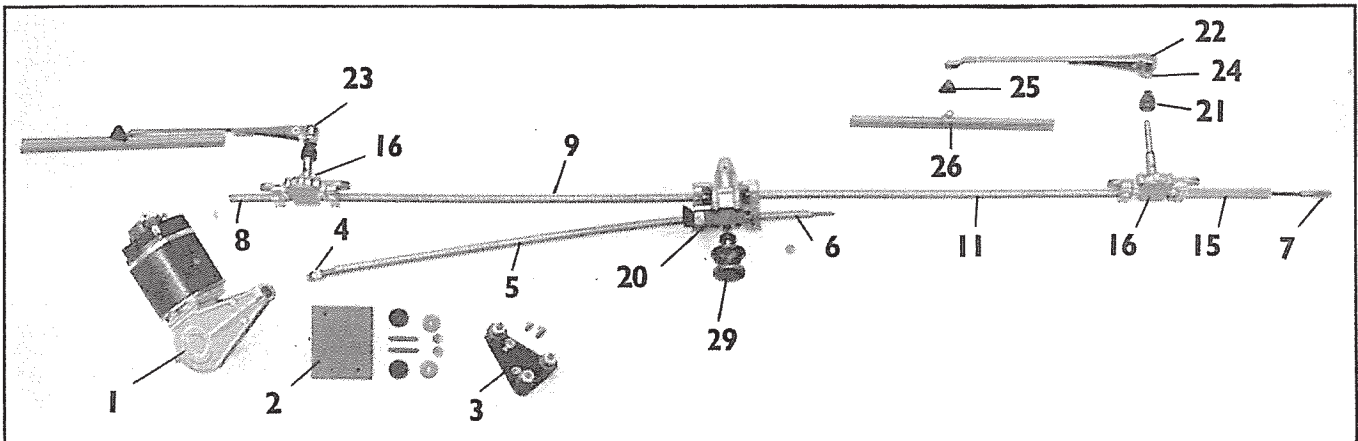
# CR AND CRT WINDSHIELD WIPERS

## MODELS CR AND CRT

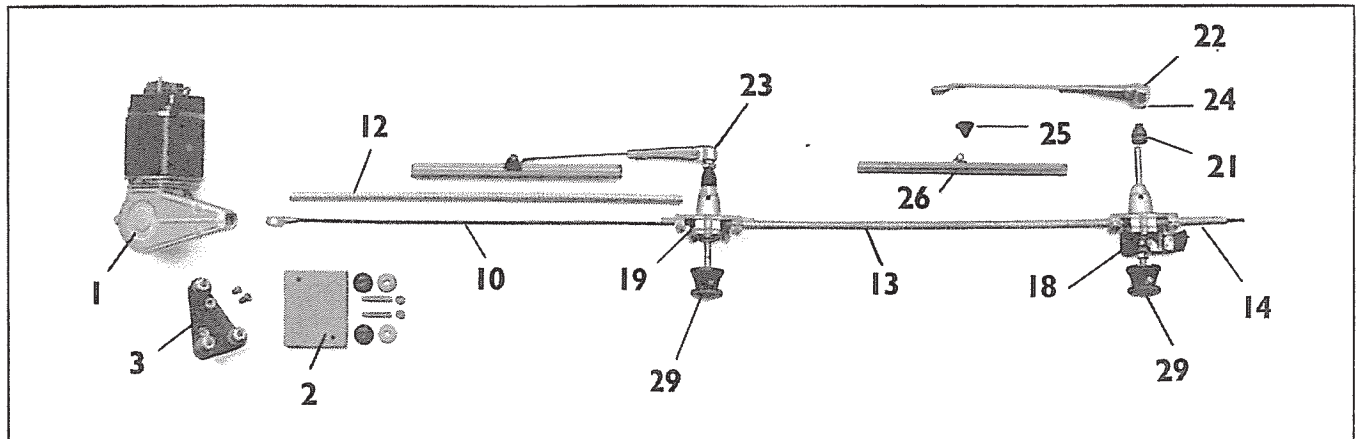
### Model Interpretation

C	Cable.	4 and 14	Dual arm; separate switch.
R	Rack.	5 and 15	Single or dual arm; separate switch; wheelboxes with front and rear bush fixing.
T	Thermostatic control.	6 and 16	Single, dual or triple arm, with wheelbox arrangements to coachbuilder's specification.
1 and 11	Single knob control; dual arm.		
2 and 12	Dual or triple arm; two or three knobs; park and switch.		The expression 'left hand' or 'right hand' is as viewed from driver's seat.

### CRI and CRTII. Dual Arm Arrangements, with Single Knob Control



### CR2 and CRTI2. Dual or Triple Arm Arrangements Wheelbox (driver's side) incorporates operating switch



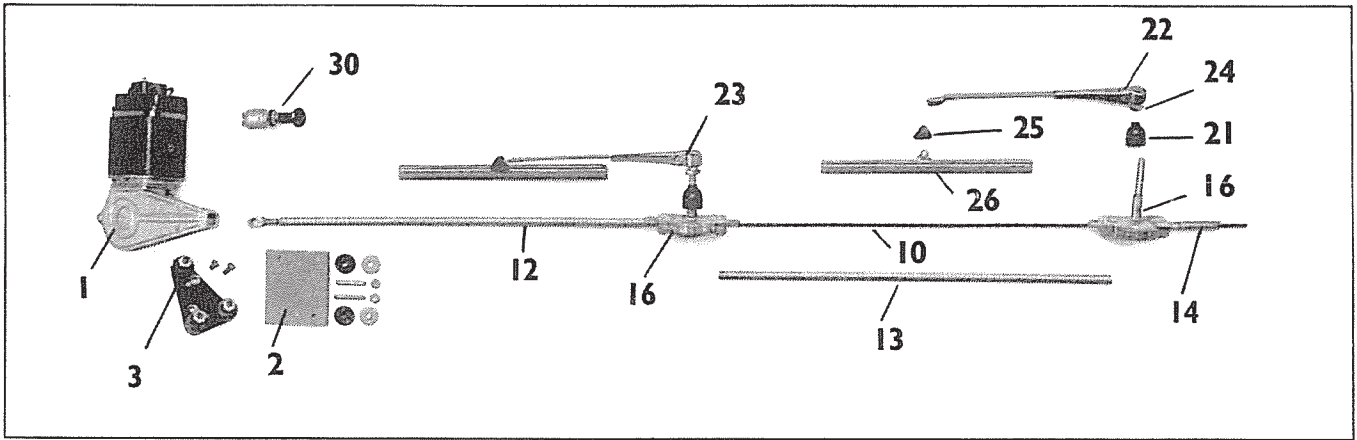
### KEY TO ILLUSTRATIONS

- |  |   |  |
|--|---|--|
| 1. Motor and gearbox (for details see pages R5-R7).                | 10. Rack assembly, motor to wheelboxes.                       | 20. Control box, with switch and knob.   |
| 2. 2-stud motor fixing, set of parts.                              | 11. Outer casing, control box to right hand wheelbox.         | 21. Grommet, rubber, for wheelbox spindle.   |
| 3. 3-stud motor fixing (alternative to No. 2).                     | 12. Outer casing, motor to 1st wheelbox.                      | 22. Arm, right hand.   |
| 4. Rack assembly, motor to control box (for details see page R25). | 13. Outer casing, wheelbox to wheelbox.                       | 23. Arm, left hand.  |
| 5. Outer casing, motor to control box.                             | 14. Outer casing, right hand wheelbox, length 3".             | 24. Screw and collet assembly.   |
| 6. Outer casing, control box, length 3".                           | 15. Guide tube, right hand wheelbox.                          | 25. Stop, rubber.  |
| 7. Rack assembly, wheelboxes to control box.                       | 16. Wheelbox, without switch.                                 | 26. Blade or squeegee.   |
| 8. Outer casing, left hand wheelbox, length 4".                    | 17. Wheelbox, without switch, but with front and rear bushes. | 27. Blade, specially designed for curved windscreens. (As illustration 16, page R1). |
| 9. Outer casing, left hand, wheelbox to control box.               | 18. Wheelbox, with switch and knob.                           | 28. Rubber and backing plate assembly. (As illustration 15, page R1).                |
|  | 19. Wheelbox, without switch, but with parking knob.          | 29. Knob, wheelbox or control box.   |
|  |   | 30. Operating switch, for remote control.  |

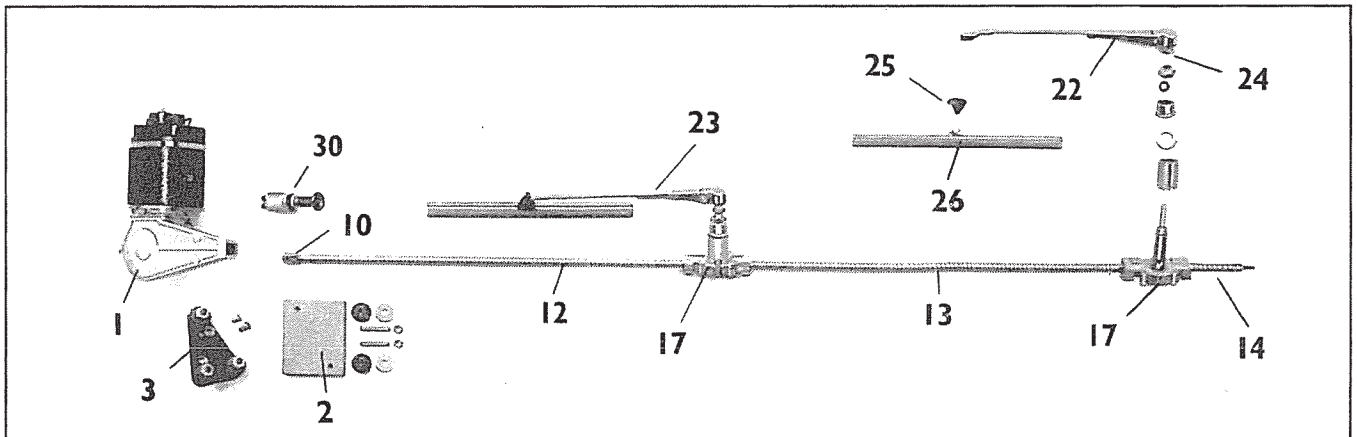
# CR AND CRT WINDSHIELD WIPERS



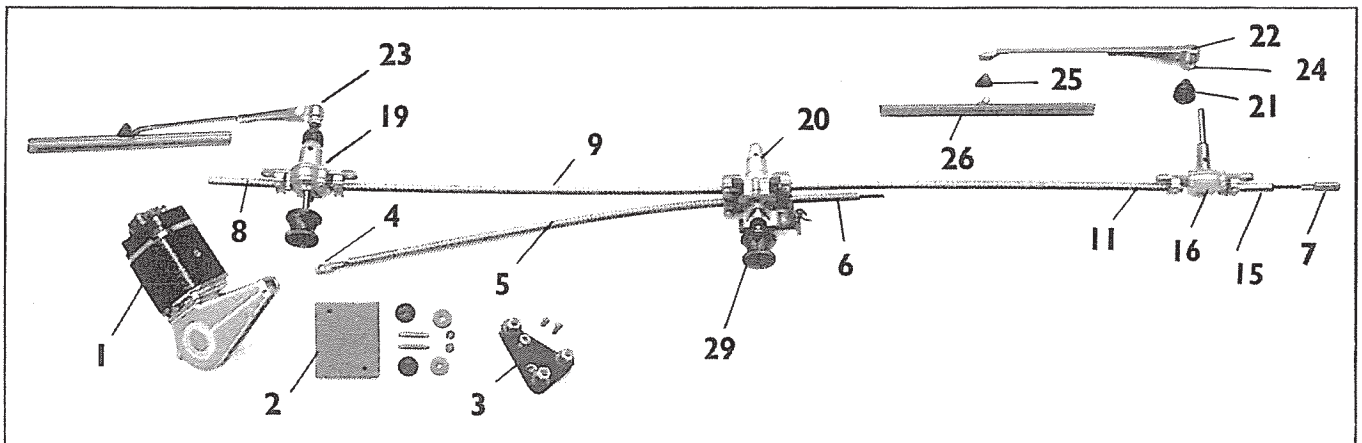
CR4 and CRT14. Dual Arm Arrangements, with separate operating switch



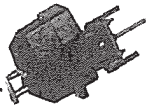
CR5 and CRT15. Single or Dual Arm Arrangements, with special Wheelboxes and separate operating switch



CR6 and CRT16. Single, Dual or Triple Arm Arrangements, with Control Box



For key to illustrations, see bottom of page R2



# CW, CWX AND FW2 WINDSHIELD WIPERS

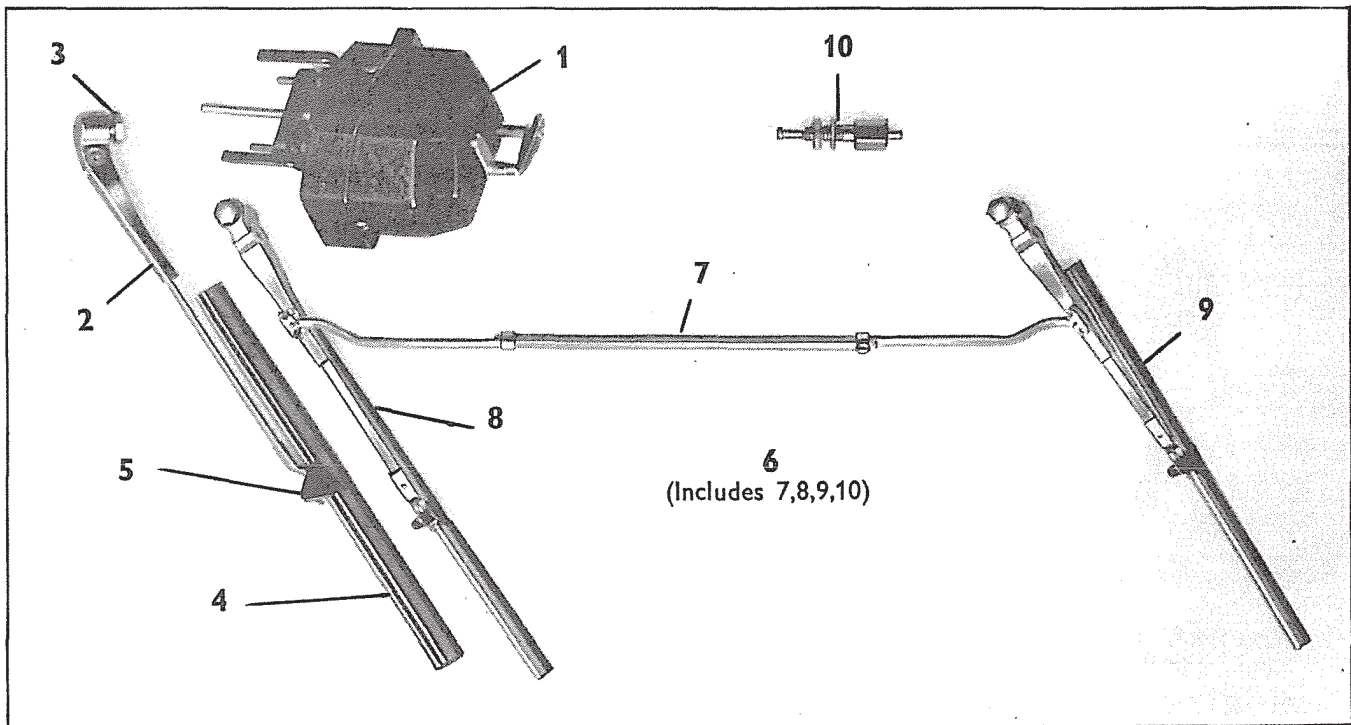
## MODELS CW, CWX AND FW2

### Model Interpretation

- CW1 Wiper, top of windscreen mounting.
- CW2 Wiper, bottom of windscreen mounting.
- CWX Wiper, universal windscreen mounting.
- FW2 As CW2, but later design.

The expression 'left hand' or 'right hand' is as viewed from driver's seat.

### CW, CWX and FW2. Single and Dual Arm Arrangements

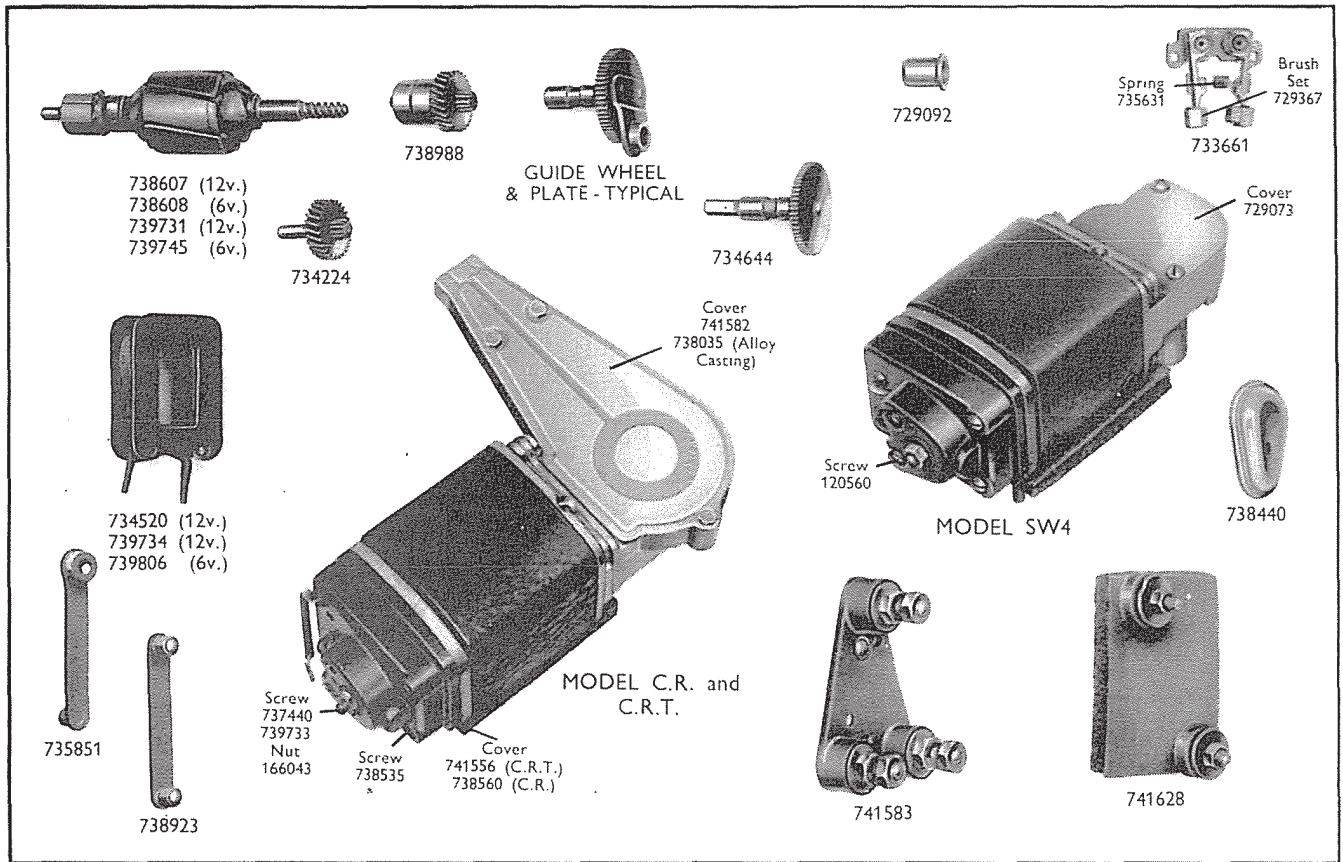


### KEY TO ILLUSTRATIONS

- |                               |   |
|-------------------------------|---|
| 1. Motor assembly.            | 6. Dual arm attachment, complete (CW and CWX only). |
| 2. Arm, single.               | 7. Coupling bar assembly.                           |
| 3. Screw and collet assembly. | 8. Arm, right hand.                                 |
| 4. Blade or squeegee.         | 9. Arm, left hand.                                  |
| 5. Stop, rubber.              | 10. Bearing assembly, auxiliary arm.                |

*For details of dual arm attachments available, see pages R40-R42*

# CR, CRT AND SW4 MOTORS (Windshield Wiper)



## DETAILED SPARE PARTS

Part No. . . . .	†75053J	†75053K	†75055K	†75055L	†75062J	†75062K	†75063K
Model . . . . .	CR	CR	CR	CR	CR	CR	CR
Voltage . . . . .	12	12	12	12	12	12	12
Angle of wipe . . . . .	130°	130°	130°	130°	160°	160°	160°
Replaced by (see footnote) . . . . .	(75150)	(75150)	(75152)	(75152)	(75161)	(75161)	(75148)
§Cover . . . . .	738560	738560	738560	738560	738560	738560	738560
Screw, cover fixing . . . . .	738535	738535	738535	738535	738535	738535	738535
Screw, thrust . . . . .	737440	737440	737440	737440	737440	737440	737440
Nut, adjusting . . . . .	166043	166043	166043	166043	166043	166043	166043
Screw, grub, terminal . . . . .	120560	120560	120560	120560	120560	120560	120560
§Brushgear . . . . .	733661	733661	733661	733661	733661	733661	733661
§Brushes, set . . . . .	729367	729367	729367	729367	729367	729367	729367
Spring, brush . . . . .	735631	735631	735631	735631	735631	735631	735631
§Armature . . . . .	738607	738607	738607	738607	738607	738607	738607
§Coil, field . . . . .	734520	734520	734520	734520	734520	734520	734520
§Fixing studs, set . . . . .	741628	741628	741583	741583	741628	741628	741583
Cover, gearbox . . . . .	738035	741582	738035	741582	738035	741582	738035
Worm wheel, pinion and bearing . . . . .	738988	738988	738988	738988	738988	738988	738988
Bush, body . . . . .	729092	729092	729092	729092	729092	729092	729092
Connecting rod . . . . .	735851	738923	735851	738923	735851	738923	735851
Cap, end, gear spindle . . . . .	738440	738440	738440	738440	738440	738440	738440
§Guide wheel and plate . . . . .	738893	738908	738893	738908	738896	738910	738896
Gear and spindle . . . . .	—	—	—	—	—	—	—
Gear and pinion . . . . .	—	—	—	—	—	—	—
§Sundry parts, set . . . . .	741596	741596	741596	741596	741596	741596	741596

For detailed spare parts, see also pages R6-R7

Note. For replacement motor spare parts, see appropriate column under part number  
 § Recommended spares for stock

† When ordering, quote part number shown in brackets

continued



# CR, CRT AND SW4 MOTORS (Windshield Wiper)

## DETAILED SPARE PARTS

Part No. . . . .	†75063L	†75064J	†75064K	‡75065A	‡75066A	†75067K	†75067L
Model . . . . .	CR	CR	CR	SW4	SW4	CR	CR
Voltage . . . . .	12	12	12	6	12	12	12
Angle of wipe . . . . .	160°	140°	140°	120°	120°	140°	140°
Replaced by (see footnote) . . . . .	(75148)	(75145)	(75145)	—	—	(75158)	(75158)
(1) §Cover . . . . .	738560	738560	738560	738560	738560	738560	738560
(2) Screw, cover fixing . . . . .	738535	738535	738535	738535	738535	738535	738535
(3) Screw, thrust . . . . .	737440	737440	737440	737440	737440	737440	737440
(4) Nut, adjusting . . . . .	166043	166043	166043	166043	166043	166043	166043
(5) Screw, grub, terminal . . . . .	120560	120560	120560	120560	120560	120560	120560
(6) §Brushgear . . . . .	733661	733661	733661	733661	733661	733661	733661
(7) § Brushes, set . . . . .	729367	729367	729367	729367	729367	729367	729367
(8) Spring, brush . . . . .	735631	735631	735631	735631	735631	735631	735631
(9) §Armature . . . . .	738607	738607	738607	738608	738607	738607	738607
(10) §Coil, field . . . . .	734520	734520	734520	739806	734520	734520	734520
(11) §Fixing studs, set . . . . .	741583	741628	741628	741628	741628	741583	741583
(12) Cover, gearbox . . . . .	741582	738035	741582	729073	729073	738035	741582
(13) Worm wheel, pinion and bearing . . . . .	738988	738988	738988	—	—	738988	738988
(14) Bush, body . . . . .	729092	729092	729092	729092	729092	729092	729092
(15) Connecting rod . . . . .	738923	735851	738923	—	—	735851	738923
(16) Cap, end, gear spindle . . . . .	738440	738440	738440	—	—	738440	738440
(17) §Guide wheel and plate . . . . .	738910	738894	738909	—	—	738894	738909
(18) Gear and spindle . . . . .	—	—	—	734644	734644	—	—
(19) Gear and pinion . . . . .	—	—	—	734224	734224	—	—
(20) §Sundry parts, set . . . . .	741596	741596	741596	—	—	741596	741596

Part No. . . . .	†75092B	†75100A/B	75143A/B	75144A/B	75145A/B	75146A/B	75148A/B
Model . . . . .	CR	CR	CRT	CRT	CRT	CRT	CRT
Voltage . . . . .	12	12	12	12	12	12	12
Angle of wipe . . . . .	150°	105°	95°	120°	140°	105°	160°
Replaced by (see footnote) . . . . .	(75145)	(75146)	—	—	—	—	—
(1) §Cover . . . . .	738560	738560	741556	741556	741556	741556	741556
(2) Screw, cover fixing . . . . .	738535	738535	738535	738535	738535	738535	738535
(3) Screw, thrust . . . . .	737440	737440	739733	739733	739733	739733	739733
(4) Nut, adjusting . . . . .	166043	166043	166043	166043	166043	166043	166043
(5) Screw, grub, terminal . . . . .	120560	120560	120560	120560	120560	120560	120560
(6) §Brushgear . . . . .	733661	733661	733661	733661	733661	733661	733661
(7) § Brushes, set . . . . .	729367	729367	729367	729367	729367	729367	729367
(8) Spring, brush . . . . .	735631	735631	735631	735631	735631	735631	735631
(9) §Armature . . . . .	738607	738607	739731	739731	739731	739731	739731
(10) §Coil, field . . . . .	734520	734520	739734	739734	739734	739734	739734
(11) §Fixing studs, set . . . . .	741628	741628	741583	741628	741628	741628	741583
(12) Cover, gearbox . . . . .	738035	738035	741582	741582	741582	741582	741582
(13) Worm wheel, pinion and bearing . . . . .	738988	738988	738988	738988	738988	738988	738988
(14) Bush, body . . . . .	729092	729092	—	—	—	—	—
(15) Connecting rod . . . . .	735851	735851	738923	738923	738923	738923	738923
(16) Cap, end, gear spindle . . . . .	738440	738440	738440	738440	738440	738440	738440
(17) §Guide wheel and plate . . . . .	738895	738891	738905	738907	738909	738906	738910
(18) Gear and spindle . . . . .	—	—	—	—	—	—	—
(19) Gear and pinion . . . . .	—	—	—	—	—	—	—
(20) §Sundry parts, set . . . . .	741596	741596	741596	741596	741596	741596	741596

For illustrations, see page R5

Note. For replacement motor spare parts, see appropriate column under part number † When ordering, quote part number shown in brackets  
 ‡ Offer Conversion Set 072853; for details see page R43 § Recommended spares for stock ¶ Offer Conversion Set 072896; for details see page R43

# CR, CRT AND SW4 MOTORS (Windshield Wiper)



## DETAILED SPARE PARTS

†75068K CR 12 150° (75179)	†75068L CR 12 150° (75179)	†75074H CR 12 120° (75144)	†75074J CR 12 120° (75144)	†75075J CR 12 120° (75153)	†75075K CR 12 120° (75153)	†75084K CR 12 95° (75143)	†75084L CR 12 95° (75143)	†75087L CR 12 120° (75153)	†75087M CR 12 120° (75153)	†75088L CR 12 105° (75151)	†75088M CR 12 105° (75151)	
738560	738560	738560	738560	738560	738560	738560	738560	738560	738560	738560	738560	(1)
738535	738535	738535	738535	738535	738535	738535	738535	738535	738535	738535	738535	(2)
737440	737440	737440	737440	737440	737440	737440	737440	737440	737440	737440	737440	(3)
166043	166043	166043	166043	166043	166043	166043	166043	166043	166043	166043	166043	(4)
120560	120560	120560	120560	120560	120560	120560	120560	120560	120560	120560	120560	(5)
733661	733661	733661	733661	733661	733661	733661	733661	733661	733661	733661	733661	(6)
729367	729367	729367	729367	729367	729367	729367	729367	729367	729367	729367	729367	(7)
735631	735631	735631	735631	735631	735631	735631	735631	735631	735631	735631	735631	(8)
738607	738607	738607	738607	738607	738607	738607	738607	738607	738607	738607	738607	(9)
734520	734520	734520	734520	734520	734520	734520	734520	734520	734520	734520	734520	(10)
741583	741583	741628	741628	741583	741583	741583	741583	741583	741583	741583	741583	(11)
738035	741582	738035	741582	738035	741582	738035	741582	738035	741582	738035	741582	(12)
738988	738988	738988	738988	738988	738988	738988	738988	738988	738988	738988	738988	(13)
729092	729092	729092	729092	729092	729092	729092	729092	729092	729092	729092	729092	(14)
735851	738923	735851	738923	735851	738923	735851	738923	735851	738923	735851	738923	(15)
738440	738440	738440	738440	738440	738440	738440	738440	738440	738440	738440	738440	(16)
738895	738910	738892	738907	738892	738907	738890	738905	738892	738907	738891	738906	(17)
—	—	—	—	—	—	—	—	—	—	—	—	(18)
—	—	—	—	—	—	—	—	—	—	—	—	(19)
741596	741596	741596	741596	741596	741596	741596	741596	741596	741596	741596	741596	(20)

75149A CRT 6 140° —	75150A/B CRT 12 130° —	75151A/B CRT 12 105° —	75152A/B CRT 12 130° —	75153A/B CRT 12 120° —	75158A/B CRT 12 140° —	75161A CRT 12 160° —	75167A/B CRT 6 130° —	75179A/B CRT 12 150° —	75229A/B CRT 6 120° —	†75230A/E CRT 12 130° (75150)	75299A/B CRT 12 95° —	
741556	741556	741556	741556	741556	741556	741556	741556	741556	741556	741556	741556	(1)
738535	738535	738535	738535	738535	738535	738535	738535	738535	738535	738535	738535	(2)
739733	739733	739733	739733	739733	739733	739733	739733	739733	739733	739733	739733	(3)
166043	166043	166043	166043	166043	166043	166043	166043	166043	166043	166043	166043	(4)
120560	120560	120560	120560	120560	120560	120560	120560	120560	120560	120560	120560	(5)
733661	733661	733661	733661	733661	733661	733661	733661	733661	733661	733661	733661	(6)
729367	729367	729367	729367	729367	729367	729367	729367	729367	729367	729367	729367	(7)
735631	735631	735631	735631	735631	735631	735631	735631	735631	735631	735631	735631	(8)
739745	739731	739731	739731	739731	739731	739731	739745	739731	739745	739731	739731	(9)
739806	739734	739734	739734	739734	739734	739734	739806	739734	739806	739734	739734	(10)
741583	741628	741583	741583	741583	741583	741628	741628	741583	741628	741628	741628	(11)
741582	741582	741582	741582	741582	741582	741582	741582	741582	741582	741582	741582	(12)
738988	738988	738988	738988	738988	738988	738988	738988	738988	738988	738988	738988	(13)
—	—	—	—	—	—	—	—	—	—	—	—	(14)
738923	738923	738923	738923	738923	738923	738923	738923	738923	738923	738923	738923	(15)
738440	738440	738440	738440	738440	738440	738440	738440	738440	738440	738440	738440	(16)
738909	738908	738906	738908	738907	738909	738910	738908	738910	738907	738908	738905	(17)
—	—	—	—	—	—	—	—	—	—	—	—	(18)
—	—	—	—	—	—	—	—	—	—	—	—	(19)
741596	741596	741596	741596	741596	741596	741596	741596	741596	741596	741596	741596	(20)

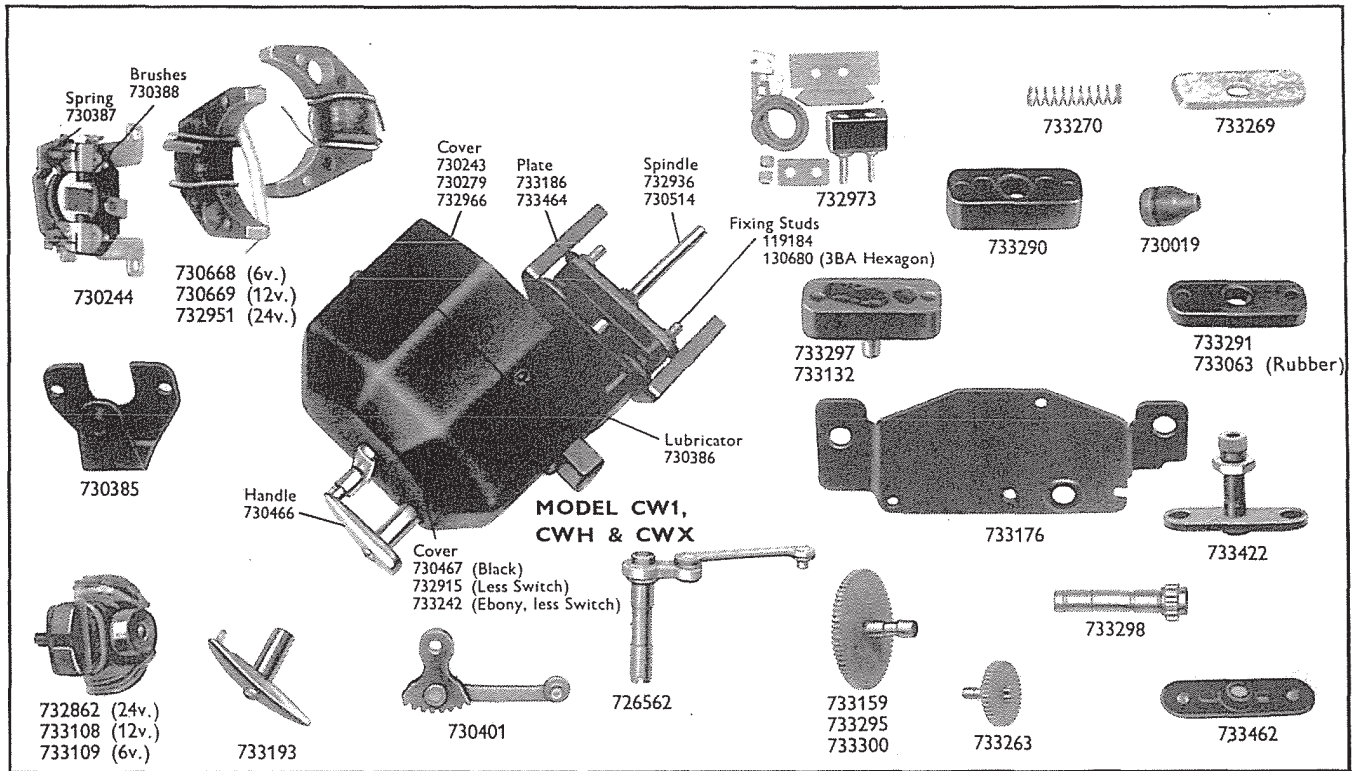
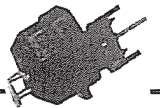
For illustrations, see page R5

† When ordering, quote part number shown in brackets





# CWI, CWH AND CWX MOTORS (Windshield Wiper)



## DETAILED SPARE PARTS

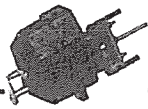
Part No.	†75003B	†75027A	†75041E	†75047A	†75048A	†75049A	75051D	†75054A
Model	CW1	CW1	CW1	CW1	CW1	CW1	CW1	CW1
Voltage	6	12	12	6	12	12	12	12
Angle of wipe	150°	130°	150°	130°	130°	150°	150°	130°
Replaced by (see footnote)	(732481)	(732480)	(732480)	(75073)	(732480)	(732480)	—	(732480)
§Cover	730467	730467	730467	730467	730467	730467	730467	730467
§Brushgear	730244	730244	730244	730244	730244	730244	730244	730244
§Brushes, set	730388	730388	730388	730388	730388	730388	730388	730388
Spring, brush	730387	730387	730387	730387	730387	730387	730387	730387
§Armature	733109	733108	733108	733109	733108	733108	733108	733108
§Pole, and coil set	730668	730669	730669	730668	730669	730669	730669	730669
§Stud, motor fixing	119184	119184	119184	119184	119184	119184	119184	119184
Lubricator, with wick	730386	730386	730386	730386	730386	730386	730386	730386
Gear, intermediate, with pinion	733263	733263	733263	733263	733263	733263	733263	733263
Sector	730401	730401	730401	730401	730401	730401	730401	730401
Bush, oscillating	733298	733298	733298	733298	733298	733298	733298	733298
§Guide wheel	733300	733295	733300	733295	733295	733300	733300	733295
Handle, parking, with nut	730466	730466	730466	730466	730466	730466	730466	730466
Spindle	732936	732936	732936	732936	732936	732936	732936	732936
Spring, spindle	733270	733270	733270	733270	733270	733270	733270	733270
Cover, rear, with fixing parts	730243	730243	730243	730243	730243	730243	730243	730243
Protector plate	733462	733462	733462	—	733462	733462	733462	733462
Packing piece, with bearing	733297	733132	733297	733422	733297	733297	733132	733297
Packing piece, 1/4"	733291	—	733291	733291	—	—	—	—
Packing piece, 1/2"	—	—	733290	733290	—	—	—	—
Packing, langite or rubber	733269	733269	733269	—	733269	733269	733269	733269
Plate, stop	733186	—	733186	—	733186	733186	—	—
Grommet, end cover	—	—	—	—	—	—	—	—
§Sundry parts, set	733439	733439	733439	733439	733439	733439	733439	733439

For detailed spare parts, see also pages R10-R11

Note. For replacement motor spare parts, see appropriate column under part number  
 § Recommended spares for stock

† When ordering, quote part number shown in brackets

continued



# CWI, CWH AND CWX MOTORS (Windshield Wiper)

## DETAILED SPARE PARTS

Part No. . . . .	75056A	†75059A	†75069B	†75070A	75073A	†75077A	75081A	75089B
Model . . . . .	CW1	CW1	CW1	CW1	CW1	CW1	CWH	CW1
Voltage . . . . .	6	12	12	12	6	6	6	12
Angle of wipe . . . . .	100°	150°	130°	130°	100°	100°	—	100°
Replaced by (see footnote) . . . . .	—	(732480)	(732480)	(732480)	—	(732481)	—	—
(1) §Cover . . . . .	730467	730467	730467	730467	730467	732915	730467	730467
(2) §Brushgear . . . . .	730244	730244	730244	730244	730244	730244	730244	730244
(3) §Brushes, set . . . . .	730388	730388	730388	730388	730388	730388	730388	730388
(4) Spring, brush . . . . .	730387	730387	730387	730387	730387	730387	—	730387
(5) §Armature . . . . .	733109	733108	733108	733108	733109	733109	733109	733108
(6) §Pole, and coil set . . . . .	730668	730669	730669	730669	730668	730668	730668	730669
(7) §Stud, motor fixing . . . . .	119184	119184	119184	119184	—	119184	—	119184
(8) Lubricator, with wick . . . . .	730386	730386	730386	730386	730386	730386	—	730386
(9) Gear, intermediate, with pinion . . . . .	733263	733263	733263	733263	733263	733263	—	733263
(10) Sector . . . . .	—	730401	730401	730401	—	—	—	—
(11) Bush, oscillating . . . . .	726562	733298	733298	733298	726562	726562	—	726562
(12) §Guide wheel . . . . .	733159	733300	733295	733295	733159	733159	—	733159
(13) Handle, parking, with nut . . . . .	730466	730466	730466	730466	730466	—	730466	—
(14) Spindle . . . . .	732936	732936	732936	732936	732936	732936	730514	732936
(15) Spring, spindle . . . . .	733270	733270	733270	733270	733270	733270	—	733270
(16) Cover, rear, with fixing parts . . . . .	730243	730243	730243	730243	730243	730243	—	730243
(17) Protector plate . . . . .	733462	733462	733462	—	—	—	—	733462
(18) Packing piece, with bearing . . . . .	733297	733297	733297	733297	733422	733132	—	733132
(19) Packing piece, 1/4" . . . . .	—	—	—	733291	733291	—	—	733291
(20) Packing piece, 3/8" . . . . .	—	—	—	—	733290	—	—	—
(21) Packing, langite or rubber . . . . .	733269	733269	733269	733269	—	733269	—	733269
(22) Plate, stop . . . . .	—	—	733186	733186	—	—	—	—
(23) Grommet, end cover . . . . .	—	—	—	—	—	—	—	—
(24) §Sundry parts, set . . . . .	733439	733439	733439	733439	733439	733439	—	733439

Part No. . . . .	75129A	75130A/B	75138B	75165A	75168A	75193A	†75196A	75197A/B
Model . . . . .	CW1	CW1	CW1	CW1	CW1	CW1	CW1	CW1
Voltage . . . . .	12	12	12	6	12	24	12	12
Angle of wipe . . . . .	100°	150°	100°	150°	150°	100°	150°	150°
Replaced by (see footnote) . . . . .	—	—	—	—	—	—	(732480)	—
(1) §Cover . . . . .	730467	730467	730467	730467	730467	730467	730467	730467
(2) §Brushgear . . . . .	730244	730244	730244	730244	730244	730244	730244	730244
(3) §Brushes, set . . . . .	730388	730388	730388	730388	730388	730388	730388	730388
(4) Spring, brush . . . . .	730387	730387	730387	730387	730387	730387	730387	730387
(5) §Armature . . . . .	733108	733108	733108	733109	733108	732862	733108	733108
(6) §Pole, and coil set . . . . .	730669	730669	730669	730668	730669	732951	730669	730669
(7) §Stud, motor fixing . . . . .	—	119184	119184	130680	119184	—	119184	119184
(8) Lubricator, with wick . . . . .	730386	730386	730386	730386	730386	730386	730386	730386
(9) Gear, intermediate, with pinion . . . . .	733263	733263	733263	733263	733263	733263	733263	733263
(10) Sector . . . . .	—	730401	—	730401	730401	—	730401	730401
(11) Bush, oscillating . . . . .	726562	733298	726562	733298	733298	726562	733298	733298
(12) §Guide wheel . . . . .	733159	733300	733159	733300	733300	733159	733300	733300
(13) Handle, parking, with nut . . . . .	733193	730466	730466	730466	730466	730466	730466	730466
(14) Spindle . . . . .	732936	732936	732936	732936	732936	732936	732936	732936
(15) Spring, spindle . . . . .	733270	733270	733270	733270	733270	733270	733270	733270
(16) Cover, rear, with fixing parts . . . . .	730243	730243	730243	733176	732966	730243	730243	730243
(17) Protector plate . . . . .	—	—	733462	†730279	733462	—	—	733462
(18) Packing piece, with bearing . . . . .	733422	733297	733132	730385	733297	733422	733132	733132
(19) Packing piece, 1/4" . . . . .	733291	—	—	—	733291	733291	—	—
(20) Packing piece, 3/8" . . . . .	733290	—	—	—	—	733290	—	—
(21) Packing, langite or rubber . . . . .	—	733269	—	730266	733269	—	733269	733269
(22) Plate, stop . . . . .	—	733186	733464	—	733186	—	733186	733186
(23) Grommet, end cover . . . . .	—	—	—	730019	—	—	—	—
(24) §Sundry parts, set . . . . .	733439	733439	733439	733439	733439	733439	733439	733439
(25) §Wiper arm . . . . .	—	—	—	—	—	—	—	—
(26) §Wiper blade . . . . .	—	—	—	—	—	—	—	—
(27) §Stop, rubber . . . . .	—	—	—	—	—	—	—	—

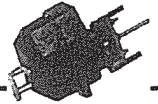
For illustrations, see page R9

Note. For replacement motor spare parts, see appropriate column under part number  
 § Recommended spares for stock

† When ordering, quote part number shown in brackets

‡ Blackplate

# CWI, CWH AND CWX MOTORS (Windshield Wiper)



## DETAILED SPARE PARTS

75091A	†75095A	75096A	75097A/B	75107A	†75120A	†75121A	75122B	†75126A	†75127A	75128A	
CW1	CW1	CW1	CW1	CW1	CWX	CWX	CW1	CW1	CW1	CW1	
12	6	12	12	12	12	6	12	12	6	12	
100°	150°	150°	100°	100°	130°	130°	150°	150°	150°	130°	
—	(732481)	—	—	—	(732480)	(732481)	—	(732480)	(732481)	—	
730467	730467	730467	730467	730467	730467	730467	730467	730467	730467	730467	730467 (1)
730244	730244	730244	730244	730244	730244	730244	730244	730244	730244	730244	730244 (2)
730388	730388	730388	730388	730388	730388	730388	730388	730388	730388	730388	730388 (3)
730387	730387	730387	730387	730387	730387	730387	730387	730387	730387	730387	730387 (4)
733108	733109	733108	733108	733108	733108	733109	733108	733108	733109	733108	733108 (5)
730669	730668	730669	730669	730669	730669	730668	730669	730669	730668	730668	730668 (6)
119184	119184	119184	119184	119184	—	119184	119184	119184	119184	119184	— (7)
730386	730386	730386	730386	730386	730386	730386	730386	730386	730386	730386	730386 (8)
733263	733263	733263	733263	733263	733263	733263	733263	733263	733263	733263	733263 (9)
—	730401	730401	—	—	730401	730401	730401	730401	730401	730401	730401 (10)
726562	733298	733298	726562	726562	733298	733298	733298	733298	733298	733298	733298 (11)
733159	733300	733300	733159	733159	733295	733295	733300	733300	733300	733295	733295 (12)
730466	730466	730466	—	730466	730466	730466	730466	730466	730466	730466	732879 (13)
732936	732936	732936	732936	732936	732936	732936	732936	732936	732936	732936	732936 (14)
733270	733270	733270	733270	733270	733270	733270	733270	733270	733270	733270	733270 (15)
730243	730243	730243	730243	732966	730243	730243	730243	730243	730243	730243	730243 (16)
733462	733462	—	733462	—	733462	733462	733462	733462	733462	—	— (17)
733297	733297	733132	733132	733422	733297	733297	733297	733297	733297	733297	733422 (18)
733291	733291	733291	—	733291	733291	733291	733291	733291	733291	733291	733291 (19)
—	—	—	—	733290	733290	733290	—	733290	733290	733290	733290 (20)
—	733269	733269	—	—	733269	733269	733269	733269	733269	733269	— (21)
—	—	—	—	—	—	733186	733186	733186	—	—	— (22)
—	—	—	—	—	—	—	—	—	—	—	— (23)
733439	733439	733439	733439	733439	733439	733439	733439	733439	733439	733439	733439 (24)

75198A	75202A	†75277A	75368A	†730292	732480	732481	†733068	733071	†733107	†733147	733179	†733189
CW1	CW1	CW1	CW1	CW1	CWX	CWX	CW1	CW1	CW1	CW1	CW1	CW1
12	24	12	12	12	12	6	12	12	12	12	12	12
130°	130°	150°	150°	150°	130°	130°	130°	130°	100°	150°	150°	150°
—	—	(732480)	—	(732480)	—	—	(732480)	—	(732480)	(732480)	—	(732480)
730467	730467	730467	730467	730467	730467	730467	730467	730467	732915	730467	730467	730467 (1)
730244	730244	730244	730244	730244	730244	730244	730244	730244	730244	730244	730244	730244 (2)
730388	730388	730388	730388	730388	730388	730388	730388	730388	730388	730388	730388	730388 (3)
730387	730387	730387	730387	730387	730387	730387	730387	730387	730387	730387	730387	730387 (4)
733108	732862	733108	733108	733108	733108	733109	733108	733108	733108	733108	733108	733108 (5)
730669	732951	730669	730669	730669	730669	730668	730669	730669	730669	730669	730669	730669 (6)
119184	119184	119184	—	119184	119184	119184	—	119184	119184	119184	130680	119184 (7)
730386	730386	730386	730386	730386	730386	730386	—	730386	730386	730386	730386	730386 (8)
733263	733263	733263	733263	733263	733263	733263	733263	733263	733263	733263	733263	733263 (9)
730401	730401	730401	730401	730401	730401	730401	730401	730401	—	730401	730401	730401 (10)
733298	733298	733298	733298	733298	733298	733298	733298	733298	726562	733298	733298	733298 (11)
733295	733295	733300	733300	733295	733295	733295	733300	733295	733159	733300	733300	733300 (12)
730466	730466	730466	730466	730466	730466	730466	730466	730466	—	730466	730466	730466 (13)
732936	732936	732936	732936	732936	732936	732936	732936	732936	732936	732936	732936	732936 (14)
733270	733270	733270	733270	733270	733270	733270	733270	733270	733270	733270	733270	733270 (15)
730243	730243	730243	730243	730243	730243	730243	730243	730243	730243	730243	733176	730243 (16)
733462	733462	—	733422	—	733462	733462	—	733462	—	—	—	733462 (17)
733297	733297	733132	733132	733297	733297	733297	733297	733297	733132	733132	730385	733297 (18)
733291	733291	733291	733291	—	733291	733291	—	—	733291	733291	—	— (19)
—	—	—	733290	—	733290	733290	—	—	—	—	†730279	— (20)
733269	733063	733269	—	733269	733269	733269	733269	—	733269	733269	730266	733269 (21)
733186	—	733186	—	—	733186	733186	—	733464	—	733186	—	— (22)
—	—	—	—	—	—	—	—	—	—	—	730019	— (23)
733439	733439	733439	733439	733439	733439	733439	733439	733439	733439	733439	733439	733439 (24)
—	—	—	—	—	735099	735099	—	—	—	—	—	— (25)
—	—	—	—	—	727707	727707	—	—	—	—	—	— (26)
—	—	—	—	—	730185	730185	—	—	—	—	—	— (27)

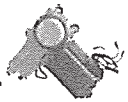
For illustrations, see page R9

† When ordering, quote part number shown in brackets

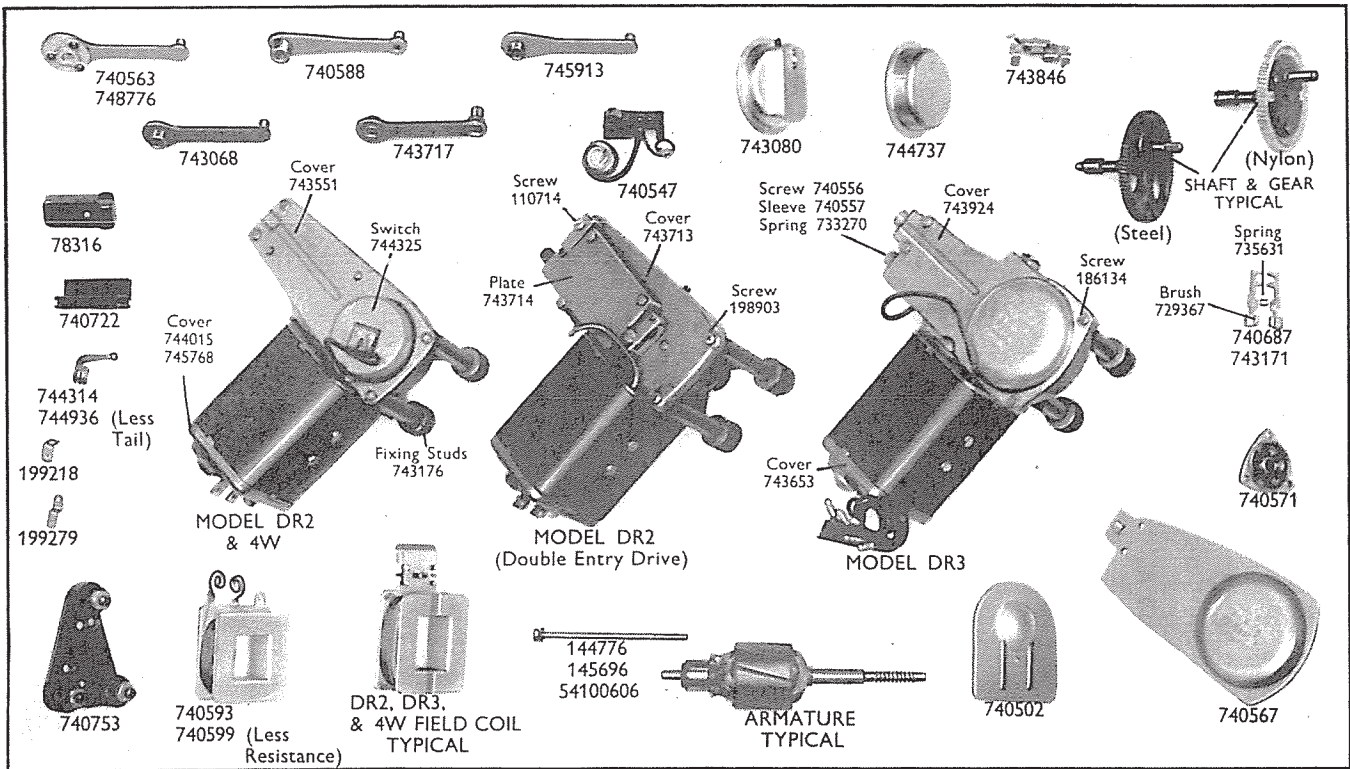
‡ Backplate, packing

§ Recommended spares for stock

|| Plate, fixing



# DRI, DR2 AND DR3 MOTORS (Windshield Wiper)



## DETAILED SPARE PARTS

Part No. . . . .	†75147A/D	†75147E/H	†75170A	†75172A/B	†75172D/F	†75174A/D	†75174E/F	†75177A
Model . . . . .	DR1	DR1	DR1	DR1	DR1	DR1	DR1	DR1
Voltage . . . . .	12	12	12	12	12	12	12	12
Speed . . . . .	Two	Two	Two	Single	Single	Single	Single	Two
Angle of wipe . . . . .	110°	110°	110°	120°	120°	130°	140°	110°
Replaced by (see footnote) . . . . .	(75231)	(75231)	(75331 & 745997)	(75311 & 745997)	(75311 & 745997)	(75296 & 745997)	(75296 & 745997)	(75213 & 745997)
Bolt or stud, fixing . . . . .	—	145696	145696	—	145696	—	145696	—
§Cover . . . . .	740502	740502	740502	740502	740502	740502	740502	740502
Cover and bearing, commutator end . . . . .	—	—	—	—	—	—	—	—
Screw, cover fixing . . . . .	—	—	—	—	—	—	—	—
Screw, earth lead . . . . .	—	—	—	—	—	—	—	—
§Brushgear . . . . .	740687	740687	740687	740687	740687	740687	740687	740687
§Brushes, set . . . . .	729367	729367	729367	729367	729367	729367	729367	729367
Spring, brush . . . . .	735631	735631	735631	735631	735631	735631	735631	735631
§Armature . . . . .	740616	740616	740616	740616	740616	740616	740616	740616
§Coil, field . . . . .	740593	740593	740593	740599	740599	740599	740599	740593
§Fixing studs, set . . . . .	740753	740753	740753	740753	740753	740753	740753	740753
Cover, gearbox . . . . .	740567	740567	740567	740567	740567	740567	740567	740567
Screw, gearbox cover . . . . .	—	—	—	—	—	—	—	—
Bearing, housing assembly . . . . .	740571	740571	740571	740571	740571	740571	740571	740571
Connecting rod . . . . .	740563	740563	740563	740563	740563	740588	740588	740563
§Shaft and gear . . . . .	745045	745045	745045	745046	745046	745047	745048	745045
Plate, cable rack cover . . . . .	—	—	—	—	—	—	—	—
Screw, clamp retaining . . . . .	—	—	—	—	—	—	—	—
§Switch . . . . .	740547	740547	740547	740547	740547	—	—	740547
Cover, gear . . . . .	—	—	—	—	—	—	—	—
Spring, contact switch . . . . .	—	—	—	—	—	—	—	—
Screw, parking switch adjusting . . . . .	740556	740556	740556	740556	740556	—	—	740556
Sleeve, adjusting screw . . . . .	740557	740557	740557	740557	740557	—	—	740557
Spring, adjusting screw . . . . .	733270	733270	733270	733270	733270	—	—	733270
Plate, gear stud locating . . . . .	—	—	—	—	—	—	—	—
Grommet, end cover . . . . .	740722	740722	—	740722	740722	740722	740722	740722
§Sundry parts, set . . . . .	740899	740899	740899	740899	740899	740899	740899	740899

For detailed spare parts, see also pages R13-R18

Note. For replacement motor spare parts, see appropriate column under part number  
 § Recommended spares for stock

† When ordering, quote part number shown in brackets

continued

# DRI, DR2 AND DR3 MOTORS (Windshield Wiper)



## DETAILED SPARE PARTS

Part No. . . . .	†75177B	†75177D	†75177E/F	†75181A	†75181B/H	†75181J	†75183A/B	75183D/E
Model . . . . .	DR1	DR1	DR1	DR1	DR1	DR1	DR1	DR1
Voltage . . . . .	12	12	12	12	12	12	12	12
Speed . . . . .	Two	Two	Two	Two	Two	Two	Two	Two
Angle of wipe . . . . .	110°	130°	130°	120°	120°	130°	120°	120°
Replaced by (see footnote) . . . . .	(75313 & 745997)	(75313 & 745997)	(75313 & 745997)	(75345 & 745997)	(75345 & 745997)	(75345 & 745997)	(75311 & 745997)	(75311 & 745997)
Bolt or stud, fixing . . . . .	145696	145696	145696	—	145696	145696	—	145696
§Cover . . . . .	740502	740502	740502	740502	740502	740502	740502	740502
Cover and bearing, commutator end . . . . .	—	—	—	—	—	—	—	—
Screw, cover fixing . . . . .	—	—	—	—	—	—	—	—
Screw, earth lead . . . . .	—	—	—	—	—	—	—	—
§Brushgear . . . . .	740687	740687	740687	740687	740687	740687	740687	740687
§Brushes, set . . . . .	729367	729367	729367	729367	729367	729367	729367	729367
Spring, brush . . . . .	735631	735631	735631	735631	735631	735631	735631	735631
§Armature . . . . .	740616	740616	740616	740616	740616	740616	740616	740616
§Coil, field . . . . .	740599	740599	740593	740593	740593	740593	740593	740593
§Fixing studs, set . . . . .	740753	740753	740753	740753	740753	740753	740753	740753
Cover, gearbox . . . . .	740567	740567	740567	740567	740567	740567	740567	740567
Screw, gearbox cover . . . . .	—	—	—	—	—	—	—	—
Bearing, housing assembly . . . . .	740571	740571	740571	740571	740571	740571	740571	740571
Connecting rod . . . . .	740563	740563	740563	740563	740563	740563	740563	740563
§Shaft and gear . . . . .	745045	745047	745047	745046	745046	745047	745046	745046
Plate, cable rack cover . . . . .	—	—	—	—	—	—	—	—
Screw, clamp retaining . . . . .	—	—	—	—	—	—	—	—
§Switch . . . . .	740547	740547	740547	740547	740547	740547	740547	740547
Cover, gear . . . . .	—	—	—	—	—	—	—	—
Spring, contact switch . . . . .	—	—	—	—	—	—	—	—
Screw, parking switch adjusting . . . . .	740556	740556	740556	740556	740556	740556	740556	740556
Sleeve, adjusting screw . . . . .	740557	740557	740557	740557	740557	740557	740557	740557
Spring, adjusting screw . . . . .	733270	733270	733270	733270	733270	733270	733270	733270
Plate, gear stud locating . . . . .	—	—	—	—	—	—	—	—
Grommet, end cover . . . . .	740722	740722	740722	740722	740722	740722	740722	740722
§Sundry parts, set . . . . .	740899	740899	740899	740899	740899	740899	740899	740899

Part No. . . . .	†75186A/H	†75187A/B	†75187D/F	†75188A/B	†75188D/E	†75192A/D	†75199A/D	†75200B
Model . . . . .	DR1	DR1	DR1	DR1	DR1	DR1	DR1	DR2
Voltage . . . . .	12	12	12	12	12	12	12	12
Speed . . . . .	Two	Two	Two	Two	Two	Single	Two	Single
Angle of wipe . . . . .	120°	130°	130°	110°	110°	130°	120°	130°
Replaced by (see footnote) . . . . .	(75331 & 745997)	(75309 & 745997)	(75309 & 745997)	(75319 & 745997)	(75319 & 745997)	(75296 & 745997)	(75310 & 745997)	(75296)
Bolt or stud, fixing . . . . .	145696	—	145696	—	145696	145696	145696	145696
§Cover . . . . .	740502	740502	740502	740502	740502	740502	740502	—
Cover and bearing, commutator end . . . . .	—	—	—	—	—	—	—	744015
Screw, cover fixing . . . . .	—	—	—	—	—	—	—	—
Screw, earth lead . . . . .	—	—	—	—	—	—	—	—
§Brushgear . . . . .	740687	740687	740687	740687	740687	740687	740687	743171
§Brushes, set . . . . .	729367	729367	729367	729367	729367	729367	729367	729367
Spring, brush . . . . .	735631	735631	735631	735631	735631	735631	735631	735631
§Armature . . . . .	740616	740616	740616	740616	740616	740616	740616	743029
§Coil, field . . . . .	740593	740593	740593	740593	740593	740599	740593	744009
§Fixing studs, set . . . . .	740753	740753	740753	740753	740753	740753	740753	743176
Cover, gearbox . . . . .	740567	740567	740567	740567	740567	740567	740567	743551
Screw, gearbox cover . . . . .	—	—	—	—	—	—	—	—
Bearing, housing assembly . . . . .	740571	740571	740571	740571	740571	740571	740571	—
Connecting rod . . . . .	740563	740563	740563	740563	740563	740588	740563	743068
§Shaft and gear . . . . .	745047	745047	745047	745045	745045	745047	745046	743172
Plate, cable rack cover . . . . .	—	—	—	—	—	—	—	—
Screw, clamp retaining . . . . .	—	—	—	—	—	—	—	—
§Switch . . . . .	740547	740547	740547	740547	740547	—	740547	743080
Cover, gear . . . . .	—	—	—	—	—	—	—	—
Spring, contact switch . . . . .	—	—	—	—	—	—	—	—
Screw, parking switch adjusting . . . . .	740556	740556	740556	740556	740556	—	740556	—
Sleeve, adjusting screw . . . . .	740557	740557	740557	740557	740557	—	740557	—
Spring, adjusting screw . . . . .	733270	733270	733270	733270	733270	—	733270	—
Plate, gear stud locating . . . . .	—	—	—	—	—	—	—	—
Grommet, end cover . . . . .	740722	740722	740722	740722	740722	740722	740722	—
§Sundry parts, set . . . . .	740899	740899	740899	740899	740899	740899	740899	743049

For illustrations, see page R12

Note. For replacement motor spare parts, see appropriate column under part number  
 § Recommended spares for stock

† When ordering, quote part number shown in brackets

continued



# DRI, DR2 AND DR3 MOTORS (Windshield Wiper)

## DETAILED SPARE PARTS

Part No. . . . .	75212A/E	75212F	75213A/E	75213F	†75214A/D	†75214E	75231A
Model . . . . .	DR2	DR2	DR2	DR2	DR2	DR2	DR1
Voltage . . . . .	12	—	12	12	12	12	12
Speed . . . . .	Single	Single	Single	Single	Single	Single	Two
Angle of wipe . . . . .	90°	90°	110°	110°	120°	120°	110°
Replaced by (see footnote) . . . . .	—	—	—	—	(75297)	(75297)	(75308 & 745997)
(1) Bolt or stud, fixing . . . . .	145696	145696	145696	145696	145696	145696	145696
(2) §Cover . . . . .	—	—	—	—	—	—	740502
(3) Cover and bearing, commutator end . . . . .	744015	744015	744015	744015	744015	744015	—
(4) Screw, cover fixing . . . . .	—	—	—	—	—	—	—
(5) Screw, earth lead . . . . .	—	—	—	—	—	—	—
(6) §Brushgear . . . . .	743171	743171	743171	743171	743171	743171	740687
(7) § Brushes, set . . . . .	729367	729367	729367	729367	729367	729367	729367
(8) Spring, brush . . . . .	735631	735631	735631	735631	735631	735631	735631
(9) §Armature . . . . .	743029	743029	743029	743029	743029	743029	740616
(10) §Coil, field . . . . .	744009	744009	744009	744009	744009	744009	740593
(11) §Fixing studs, set . . . . .	743176	743176	743176	743176	743176	743176	740753
(12) Cover, gearbox . . . . .	743551	743551	743551	743551	743551	743551	740567
(13) Screw, gearbox cover . . . . .	—	—	—	—	—	—	—
(14) Bearing, housing assembly . . . . .	—	—	—	—	—	—	740571
(15) Connecting rod . . . . .	743068	743068	743068	743068	743068	743068	740563
(16) §Shaft and gear . . . . .	744535	744740	744536	744742	743943	743943	745045
(17) Plate, cable rack cover . . . . .	—	—	—	—	—	—	—
(18) Screw, clamp retaining . . . . .	—	—	—	—	—	—	—
(19) §Switch . . . . .	743080	744325	743080	744325	743080	743080	740547
(20) Cover, gear . . . . .	—	—	—	—	—	—	—
(21) Spring, contact switch . . . . .	—	744314	—	744314	—	—	—
(22) Screw, parking switch adjusting . . . . .	—	—	—	—	—	—	740556
(23) Sleeve, adjusting screw . . . . .	—	—	—	—	—	—	740557
(24) Spring, adjusting screw . . . . .	—	—	—	—	—	—	733270
(25) Plate, gear stud locating . . . . .	—	—	—	—	—	—	—
(26) Grommet, end cover . . . . .	—	—	—	—	—	—	740722
(27) §Sundry parts, set . . . . .	743049	743049	743049	743049	743049	743049	740899

Part No. . . . .	†75250A/B	75251A/F	75251H	†75280A	75289A/D	75290A/B	†75291A	†75293A
Model . . . . .	DR1	DR2	DR2	DR1	DR2	DR2	DR1	DR1
Voltage . . . . .	12	12	12	12	12	24	12	12
Speed . . . . .	Two	Single	Single	Two	Single	Single	Two	Two
Angle of wipe . . . . .	130°	130°	130°	140°	120°	120°	110°	130°
Replaced by (see footnote) . . . . .	(75345 & 745997)	—	—	(75309 & 745997)	—	—	(75319 & 745997)	(75310 & 745997)
(1) Bolt or stud, fixing . . . . .	145696	145696	145696	145696	145696	145696	145696	145696
(2) §Cover . . . . .	740502	—	—	740502	—	—	740502	740502
(3) Cover and bearing, commutator end . . . . .	—	744015	744015	—	744015	744015	—	—
(4) Screw, cover fixing . . . . .	—	—	—	—	—	—	—	—
(5) Screw, earth lead . . . . .	—	—	—	—	—	—	—	—
(6) §Brushgear . . . . .	740687	743171	743171	740687	743171	743171	740687	740687
(7) § Brushes, set . . . . .	729367	729367	729367	729367	729367	729367	729367	729367
(8) Spring, brush . . . . .	735631	735631	735631	735631	735631	735631	735631	735631
(9) §Armature . . . . .	740616	743029	743029	740616	743029	743145	740616	740616
(10) §Coil, field . . . . .	740593	744009	744009	740593	744009	743910	740593	740593
(11) §Fixing studs, set . . . . .	740753	743176	743176	740753	743176	743176	740753	—
(12) Cover, gearbox . . . . .	740567	743551	743551	740567	743713	743713	740567	740567
(13) Screw, gearbox cover . . . . .	—	—	—	—	198903	198903	—	—
(14) Bearing, housing assembly . . . . .	740571	—	—	740571	—	—	740571	740571
(15) Connecting rod . . . . .	740563	743068	743068	740563	743717	743717	740563	740563
(16) §Shaft and gear . . . . .	745047	743172	744744	745048	743911	743911	745045	745047
(17) Plate, cable rack cover . . . . .	—	—	—	—	743714	743714	—	—
(18) Screw, clamp retaining . . . . .	—	—	—	—	110714	110714	—	—
(19) §Switch . . . . .	740547	743080	744325	740547	—	—	740547	740547
(20) Cover, gear . . . . .	—	—	—	—	—	—	—	—
(21) Spring, contact switch . . . . .	—	—	744314	—	—	—	—	—
(22) Screw, parking switch adjusting . . . . .	740556	—	—	740556	—	—	740556	740556
(23) Sleeve, adjusting screw . . . . .	740557	—	—	740557	—	—	740557	740557
(24) Spring, adjusting screw . . . . .	733270	—	—	733270	—	—	733270	733270
(25) Plate, gear stud locating . . . . .	—	—	—	—	—	—	—	—
(26) Grommet, end cover . . . . .	740722	—	—	740722	—	—	740722	740722
(27) §Sundry parts, set . . . . .	740899	743049	743049	740899	743049	743049	740899	740899

For illustrations, see page R12

Note. For replacement motor spare parts, see appropriate column under part number  
§ Recommended spares for stock

† When ordering, quote part number shown in brackets

# DRI, DR2 AND DR3 MOTORS (Windshield Wiper)



## DETAILED SPARE PARTS

†75232A DR1 12 Two 130° (75309 & 745997)	†75233A DR1 12 Two 90° (75305 & 745997)	†75234A/B DR1 12 Single 120° (75311 & 745997)	†75235A DR1 12 Two 120° (75310 & 745997)	†75236A DR1 12 Two 120° (75311 & 745997)	†75238A/E DR2 12 Single 100° (75295)	†75246A DR1 12 Two 130° (75313 & 745997)	†75247A/B DR1 12 Single 100° (75295 & 54710365)	†75249A/B DR1 12 Two 130° (75331 & 54710484)	
145696	145696	145696	145696	145696	145696	145696	145696	145696	(1)
740502	740502	740502	740502	740502	740502	740502	740502	740502	(2)
—	—	—	—	—	744015	—	—	—	(3)
—	—	—	—	—	—	—	—	—	(4)
—	—	—	—	—	—	—	—	—	(5)
740687	740687	740687	740687	740687	743171	740687	740687	740687	(6)
729367	729367	729367	729367	729367	729367	729367	729367	729367	(7)
735631	735631	735631	735631	735631	735631	735631	735631	735631	(8)
740616	740616	740616	740616	740616	740616	740616	740616	740616	(9)
740593	740593	740599	740593	740593	744009	740593	740599	740593	(10)
740753	740753	740753	740753	740753	743176	740753	740753	740753	(11)
740567	740567	740567	740567	740567	743551	740567	740567	740567	(12)
—	—	—	—	—	—	—	—	—	(13)
740571	740571	740571	740571	740571	—	740571	740571	740571	(14)
740563	740563	740563	740563	740563	743068	740563	740588	740563	(15)
745047	745044	745046	745046	745046	743268	745047	743267	745047	(16)
—	—	—	—	—	—	—	—	—	(17)
—	—	—	—	—	—	—	—	—	(18)
740547	740547	740547	740547	740547	743080	740547	—	740547	(19)
—	—	—	—	—	—	—	—	—	(20)
—	—	—	—	—	—	—	—	—	(21)
740556	740556	740556	740556	740556	—	740556	—	740556	(22)
740557	740557	740557	740557	740557	—	740557	—	740557	(23)
733270	733270	733270	733270	733270	—	733270	—	733270	(24)
—	—	—	—	—	—	—	—	—	(25)
740722	740722	740722	740722	740722	—	740722	740722	740722	(26)
740899	740899	740899	740899	740899	743049	740899	740899	740899	(27)

†75294A DR1 12 Two 130° (75311 & 745997)	75295A/D DR2 12 Single 100°	75295E DR2 12 Single 100°	75296A/D DR2 12 Single 130°	75296E DR2 12 Single 130°	75297A/D DR2 12 Single 120°	75297E DR2 12 Single 120°	75298A/E DR2 12 Single 120°	75298F DR2 12 Single 120°	75300A/E DR2 12 Single 100°	
145696	145696	145696	145696	145696	145696	145696	145696	145696	145696	(1)
740502	—	—	—	—	—	—	—	—	—	(2)
—	744015	744015	744015	744015	744015	744015	744015	744015	744015	(3)
—	—	—	—	—	—	—	—	—	—	(4)
—	—	—	—	—	—	—	—	—	—	(5)
740687	743171	743171	743171	743171	743171	743171	743171	743171	743171	(6)
729367	729367	729367	729367	729367	729367	729367	729367	729367	729367	(7)
735631	735631	735631	735631	735631	735631	735631	735631	735631	735631	(8)
740616	743029	743029	743029	743029	743029	743029	743029	743029	743029	(9)
740593	744009	744009	744009	744009	744009	744009	744009	744009	744009	(10)
—	743176	743176	743176	743176	743176	743176	743176	743176	743176	(11)
740567	743551	743551	743551	743551	743551	743551	743551	743551	743713	(12)
—	—	—	—	—	—	—	—	—	198903	(13)
740571	—	—	—	—	—	—	—	—	—	(14)
740563	743068	743068	743068	743068	743068	743068	743068	743068	743717	(15)
745047	743268	744741	743172	744744	743943	744743	743943	744743	744070	(16)
—	—	—	—	—	—	—	—	—	743714	(17)
—	—	—	—	—	—	—	—	—	110714	(18)
740547	743080	744325	743080	744325	743080	744325	743080	744325	740547	(19)
—	—	744314	—	744314	—	744314	—	744314	—	(20)
740556	—	—	—	—	—	—	—	—	—	(21)
740557	—	—	—	—	—	—	—	—	740556	(22)
733270	—	—	—	—	—	—	—	—	740557	(23)
—	—	—	—	—	—	—	—	—	733270	(24)
—	—	—	—	—	—	—	—	—	—	(25)
740722	—	—	—	—	—	—	—	—	—	(26)
740899	743049	743049	743049	743049	743049	743049	743049	743049	743049	(27)

For illustrations, see page R12

† When ordering, quote part number shown in brackets

continued



# DRI, DR2 AND DR3 MOTORS (Windshield Wiper)

## DETAILED SPARE PARTS

Part No. . . . .	75301A/F	75305A/B	75308A/B	75309A/B	75310A/B	75311A/B	75313A/B	75315D
Model . . . . .	DR2	DR3	DR3	DR3	DR3	DR3	DR3	DR2
Voltage . . . . .	12	12	12	12	12	12	12	12
Speed . . . . .	Single	Two	Two	Two	Two	Two	Two	Single
Angle of wipe (standard)	120°	85°	110°	130°	120°	120°	130°	130°
Angle of wipe (when large gear wheelbox used)	—	—	—	—	—	—	—	90°
Replaced by (see footnote)	—	—	—	—	—	—	—	—
(1) Bolt or stud, fixing . . . . .	145696	145696	145696	145696	145696	145696	145696	145696
(2) §Cover . . . . .	—	—	—	—	—	—	—	—
(3) Cover and bearing, commutator end	744015	743653	743653	743653	743653	743653	743653	744015
(4) Screw, cover fixing . . . . .	—	186134	186134	186134	186134	186134	186134	—
(5) Screw, earth lead . . . . .	—	126444	126444	126444	126444	126444	126444	—
(6) §Brushgear . . . . .	743171	743171	743171	743171	743171	743171	743171	743171
(7) §Brushes, set . . . . .	729367	729367	729367	729367	729367	729367	729367	729367
(8) Spring, brush . . . . .	735631	735631	735631	735631	735631	735631	735631	735631
(9) §Armature . . . . .	743029	743929	743929	743929	743929	743929	743929	743029
(10) §Coil, field . . . . .	744009	744907	744907	744907	744907	744907	744907	744009
(11) §Fixing studs, set . . . . .	743176	743176	743176	743176	743176	743176	743176	743176
(12) Cover, gearbox . . . . .	743551	743924	743924	743924	743924	743924	743924	743551
(13) Screw, gearbox cover . . . . .	—	—	—	—	—	—	—	—
(14) Bearing, housing assembly . . . . .	—	—	—	—	—	—	—	—
(15) Connecting rod . . . . .	743068	740563	740563	740563	740563	740563	740563	743068
(16) §Shaft and gear . . . . .	744743	744910	744912	744914	744913	744913	744914	744744
(17) Plate, cable rack cover . . . . .	—	—	—	—	—	—	—	—
(18) Screw, clamp retaining . . . . .	—	—	—	—	—	—	—	—
(19) §Switch . . . . .	—	743846	743846	743846	743846	743846	743846	—
(20) Cover, gear . . . . .	744737	—	—	—	—	—	—	744737
(21) Spring, contact switch . . . . .	—	—	—	—	—	—	—	—
(22) Screw, parking switch adjusting . . . . .	—	740556	740556	740556	740556	740556	740556	—
(23) Sleeve, adjusting screw . . . . .	—	740557	740557	740557	740557	740557	740557	—
(24) Spring, adjusting screw . . . . .	—	733270	733270	733270	733270	733270	733270	—
(25) Plate, gear stud locating . . . . .	—	—	—	—	—	—	—	—
(26) Grommet, end cover . . . . .	—	—	—	—	—	—	—	—
(27) §Sundry parts, set . . . . .	743049	740899	740899	740899	740899	740899	740899	743049

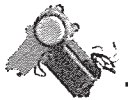
Part No. . . . .	75347A	75349A	75356A/B	75356D	75357A	75358A	75359A	75361A
Model . . . . .	DR2	DR2	DR3	DR3	DR3	DR3	DR2	DR3
Voltage . . . . .	12	12	12	12	12	12	12	12
Speed . . . . .	Single	Single	Single	Single	Single	Single	Single	Two
Angle of wipe (standard)	150°	160°	110°	100°	130°	130°	150°	150°
Angle of wipe (when large gear wheelbox used)	103°	—	—	—	90°	90°	—	103°
Replaced by (see footnote)	—	—	—	—	—	—	—	—
(1) Bolt or stud, fixing . . . . .	145696	145696	145696	145696	145696	145696	145696	145696
(2) §Cover . . . . .	—	—	—	—	—	—	—	—
(3) Cover and bearing, commutator end	744015	744015	743653	743653	743653	743653	744015	743653
(4) Screw, cover fixing . . . . .	—	—	186134	186134	186134	186134	—	186134
(5) Screw, earth lead . . . . .	—	—	126444	126444	126444	126444	—	126444
(6) §Brushgear . . . . .	743171	743171	743171	743171	743171	743171	743171	743171
(7) §Brushes, set . . . . .	729367	729367	729367	729367	729367	729367	729367	729367
(8) Spring, brush . . . . .	735631	735631	735631	735631	735631	735631	735631	735631
(9) §Armature . . . . .	743029	743029	743929	743929	743929	743929	743029	743929
(10) §Coil, field . . . . .	744009	744009	745586	745586	54710865	54710865	744009	744907
(11) §Fixing studs, set . . . . .	743176	743176	743176	743176	743176	743176	743176	743176
(12) Cover, gearbox . . . . .	743713	743713	743924	743924	743924	743924	743551	743924
(13) Screw, gearbox cover . . . . .	198903	198903	—	—	—	—	—	—
(14) Bearing, housing assembly . . . . .	—	—	—	—	—	—	—	—
(15) Connecting rod . . . . .	743717	743717	740563	740563	745913	745913	743068	740563
(16) §Shaft and gear . . . . .	54710282	54710348	744912	744911	54710866	54710866	54710428	748796
(17) Plate, cable rack cover . . . . .	743714	743714	—	—	—	—	—	—
(18) Screw, clamp retaining . . . . .	110714	110714	—	—	—	—	—	—
(19) §Switch . . . . .	740547	740547	743846	743846	743846	743846	—	743846
(20) Cover, gear . . . . .	—	—	—	—	—	—	744737	—
(21) Spring, contact switch . . . . .	—	—	—	—	—	—	—	—
(22) Screw, parking switch adjusting . . . . .	740556	740556	740556	740556	740556	740556	—	740556
(23) Sleeve, adjusting screw . . . . .	740557	740557	740557	740557	740557	740557	—	740557
(24) Spring, adjusting screw . . . . .	733270	733270	733270	733270	733270	733270	—	733270
(25) Plate, gear stud locating . . . . .	—	—	—	—	744936	744936	—	—
(26) Grommet, end cover . . . . .	—	—	—	—	—	—	—	—
(27) §Sundry parts, set . . . . .	743049	743049	740899	740899	740899	740899	743049	740899
(28) Connector, Lucar, terminal . . . . .	—	—	—	—	—	—	—	—
(29) Connector, Lucar, earth . . . . .	—	—	—	—	—	—	—	—

For illustrations, see page R12

Note. For replacement motor spare parts, see appropriate column under part number § Recommended spares for stock



# DRI, DR2 AND DR3 MOTORS (Windshield Wiper)



## DETAILED SPARE PARTS

75319A/B DR3 12 Two 110°	†75322A DR1 12 Two 120°	†75323A DR1 12 Two 120°	75325A/B DR3 12 Single 120°	†75329A/B DR3 12 Two 120°	75330A DR2 12 Single 110°	75331A/B DR3 12 Two 130°	75332A 4W 12 Single 130°	75335A/D DR3 12 Two 150°	75345A/B DR3 12 Two 130°
—	— (75310 & 745997)	— (75311 & 745997)	—	— (75311)	—	—	—	103°	—
145696	145696	145696	145696	145696	145696	145696	145696	145696	145696
—	740502	740502	—	—	—	—	—	—	—
743653	—	—	743653	743653	744015	743653	744015	743653	743653
186134	—	—	186134	186134	—	186134	—	186134	186134
126444	—	—	126444	126444	—	126444	—	126444	126444
743171	740687	740687	743171	743171	743171	743171	743171	743171	743171
729367	729367	729367	729367	729367	729367	729367	729367	729367	729367
735631	735631	735631	735631	735631	735631	735631	735631	735631	735631
743929	740616	740616	743929	743929	743029	745985	744843	743929	745985
744907	740593	740593	745586	744907	744009	744907	745887	744907	744907
743176	—	—	743176	743176	743176	743176	743176	743176	743176
743924	740567	740567	743924	743924	743713	743924	743551	743924	743924
—	—	—	—	—	198903	—	—	—	—
—	740571	740571	—	—	—	—	—	—	—
740563	740563	740563	740563	740563	743717	740563	743068	748776	740563
744912	745046	745046	744913	744913	745833	744914	744744	748796	744914
—	—	—	—	—	743714	—	—	—	—
—	—	—	—	—	110714	—	—	—	—
743846	740547	740547	743846	743846	740547	743846	—	743846	743846
—	—	—	—	—	—	—	744737	—	—
—	—	—	—	—	—	—	—	—	—
740556	740556	740556	740556	740556	740556	740556	—	740556	740556
740557	740557	740557	740557	740557	740557	740557	—	740557	740557
733270	733270	733270	733270	733270	733270	733270	—	733270	733270
—	—	—	—	—	—	—	—	—	—
—	740722	740722	—	—	—	—	—	—	—
740899	740899	740899	740899	740899	743049	740899	743049	740899	740899

75363A DR2 12 Single 160°	75365A DR3 12 Two 150°	75366A DR3 12 Two 150°	75367A DR2 12 Single 160°	75371A DR2 12 Single 90°	75371B DR2 12 Single 130°	75371D DR2 12 Single 130°	75374A DR3 12 Two 150°	75377A DR2 12 Single 160°	75379A/D D3 12 Two 130°
—	103°	103°	110°	—	—	—	103°	110°	—
—	—	—	—	—	—	—	—	—	—
145696	145696	145696	145696	145696	145696	54100606	145696	145696	145696
744015	743653	743653	745768	744015	745768	745768	743653	744015	743653
—	186134	186134	—	—	—	—	186134	—	186134
—	126444	126444	—	—	—	—	126444	—	126444
743171	743171	743171	743171	743171	743171	743171	743171	743171	743171
729367	729367	729367	729367	729367	729367	729367	729367	729367	729367
735631	735631	735631	735631	735631	735631	735631	735631	735631	735631
743029	743929	743929	743029	743029	743029	743029	743929	743029	743929
744009	744907	744907	54711057	744009	54711719	54712958	744907	744009	744907
743176	743176	743176	743176	743176	743176	743176	743176	743176	743176
743713	743924	743924	743551	743551	743551	743551	743924	743713	743924
198903	—	—	—	—	—	—	—	198903	—
—	—	—	—	—	—	—	—	—	—
743717	748776	748776	743068	743068	743068	743068	748776	743717	740563
54710348	748796	748796	54711022	744744	744744	744744	748796	54710348	744914
743714	—	—	—	—	—	—	—	743714	—
110714	—	—	—	—	—	—	—	110714	—
740547	743846	743846	—	744325	744325	744325	743846	—	743846
—	—	—	744737	—	—	—	—	—	—
—	—	—	—	744314	744314	744314	—	—	—
740556	740556	740556	—	—	—	—	740556	—	750556
740557	740557	740557	—	—	—	—	740557	—	740557
733270	733270	733270	—	—	—	—	733270	—	733270
—	—	—	—	—	—	—	—	—	—
—	—	—	—	—	—	—	—	—	—
743049	740899	740899	743049	743049	743049	743049	740899	743049	740899
—	—	—	—	199218	—	—	—	—	—
—	—	—	—	199279	—	—	—	—	—

For illustrations, see page R12

† When ordering, quote part number shown in brackets

continued



# DRI, DR2 AND DR3 MOTORS (Windshield Wiper)

## DETAILED SPARE PARTS

Part No. . . . .	75380A	75385A	75385B	75385D	75388A/B	75389A/B	75392A/B
Model . . . . .	DR2	DR2	DR2	DR2	DR3	DR3	DR3
Voltage . . . . .	12	12	12	12	12	12	12
Speed . . . . .	Single	Single	Single	Single	Single	Single	Single
Angle of wipe (standard) . . . . .	140°	130°	130°	130°	130°	130°	160°
Angle of wipe (when large gear wheelbox used) . . . . .	97°	90°	—	—	—	—	—
Replaced by (see footnote) . . . . .	—	—	—	—	—	—	—
§Motor (less Lucar) . . . . .	—	75315	—	—	—	—	—
Bolt or stud, locating . . . . .	145696	145696	145696	54100606	145696	145696	145696
§Cover . . . . .	—	—	—	—	—	—	—
Cover and bearing, commutator end	744015	744015	745768	745768	743653	743653	743653
Screw, cover fixing . . . . .	—	—	—	—	186134	186134	186134
Screw, earth lead . . . . .	—	—	—	—	—	—	126444
§Brushgear . . . . .	743171	743171	743171	743171	743171	743171	743171
§Brushes, set . . . . .	729367	729367	729367	729367	729367	729367	729367
Spring, brush . . . . .	735631	735631	735631	735631	735631	735631	735631
§Armature . . . . .	743029	743029	743029	743029	743929	743929	743929
§Coil, field . . . . .	744009	744009	54711057	54712959	54710865	54710865	54710865
§Fixing studs, set . . . . .	743176	743176	743176	743176	743176	743176	743176
Cover, gearbox . . . . .	743551	743551	743551	743551	743924	743924	743924
Screw, gearbox cover . . . . .	—	—	—	—	—	—	—
Connecting rod . . . . .	743068	743068	743068	743068	745913	745913	745913
§Shaft and gear . . . . .	54711349	744744	744744	744744	54710866	54710866	54711838
Plate, cable rack cover . . . . .	—	—	—	—	—	—	—
Screw, clamp retaining . . . . .	—	—	—	—	—	—	—
§Switch . . . . .	—	—	—	—	743846	743846	743846
Cover, gear . . . . .	744737	744737	744737	744737	—	—	—
Screw, parking switch adjusting . . . . .	—	—	—	—	740556	740556	740556
Sleeve, adjusting screw . . . . .	—	—	—	—	740557	740557	740557
Spring, adjusting screw . . . . .	—	—	—	—	733270	733270	733270
Plate, gear stud locating . . . . .	—	—	—	—	744936	744936	744936
§Sundry parts, set . . . . .	743049	743049	743049	743049	740899	740899	740899
Connector, Lucar, terminal . . . . .	—	199218	—	—	—	—	—

Part No. . . . .	75393A/B	75396A/D	75398A	75398B	75399A	75399B	75400A
Model . . . . .	DR3	DR3	DR2	DR2	DR2	DR2	DR2
Voltage . . . . .	12	12	12	12	24	24	12
Speed . . . . .	Single	Two	Single	Single	Single	Single	Single
Angle of wipe (standard) . . . . .	160°	150°	120°	120°	120°	120°	110°
Angle of wipe (when large gear wheelbox used) . . . . .	—	103°	—	—	—	—	—
Replaced by (see footnote) . . . . .	—	—	—	—	—	—	—
Bolt or stud, locating . . . . .	145696	145696	145696	54100606	145696	54100606	145696
§Cover . . . . .	—	—	—	—	—	—	—
Cover and bearing, commutator end	743653	743653	745768	745768	745768	745768	743653
Screw, cover fixing . . . . .	186134	186134	—	—	—	—	—
Screw, earth lead . . . . .	126444	—	—	—	—	—	—
§Brushgear . . . . .	743171	743171	743171	743171	743171	743171	743171
§Brushes, set . . . . .	729367	729367	729367	729367	729367	729367	729367
Spring, brush . . . . .	735631	735631	735631	735631	735631	735631	735631
§Armature . . . . .	743929	743929	743029	743029	743145	743145	743029
§Coil, field . . . . .	54710865	744907	54711057	54712959	54712463	54712961	54710139
§Fixing studs, set . . . . .	743176	743176	743176	743176	743176	743176	743176
Cover, gearbox . . . . .	743924	743924	743713	743713	743713	743713	743551
Screw, gearbox cover . . . . .	—	—	198903	198903	198903	198903	—
Connecting rod . . . . .	745913	740563	743717	743717	743717	743717	743068
§Shaft and gear . . . . .	54711838	748796	743911	743911	743911	743911	744742
Plate, cable rack cover . . . . .	—	—	743714	743714	743714	743714	—
Screw, clamp retaining . . . . .	—	—	110714	110714	110714	110714	—
§Switch . . . . .	743846	743846	—	—	—	—	—
Cover, gear . . . . .	—	—	—	—	—	—	743080
Screw, parking switch adjusting . . . . .	740556	740556	—	—	—	—	—
Sleeve, adjusting screw . . . . .	740557	740557	—	—	—	—	—
Spring, adjusting screw . . . . .	733270	733270	—	—	—	—	—
Plate, gear stud locating . . . . .	744936	—	—	—	—	—	—
§Sundry parts, set . . . . .	740899	740899	743049	743049	743049	743049	743049
Connector, Lucar, terminal . . . . .	—	—	—	—	—	—	—

For illustrations, see page R12

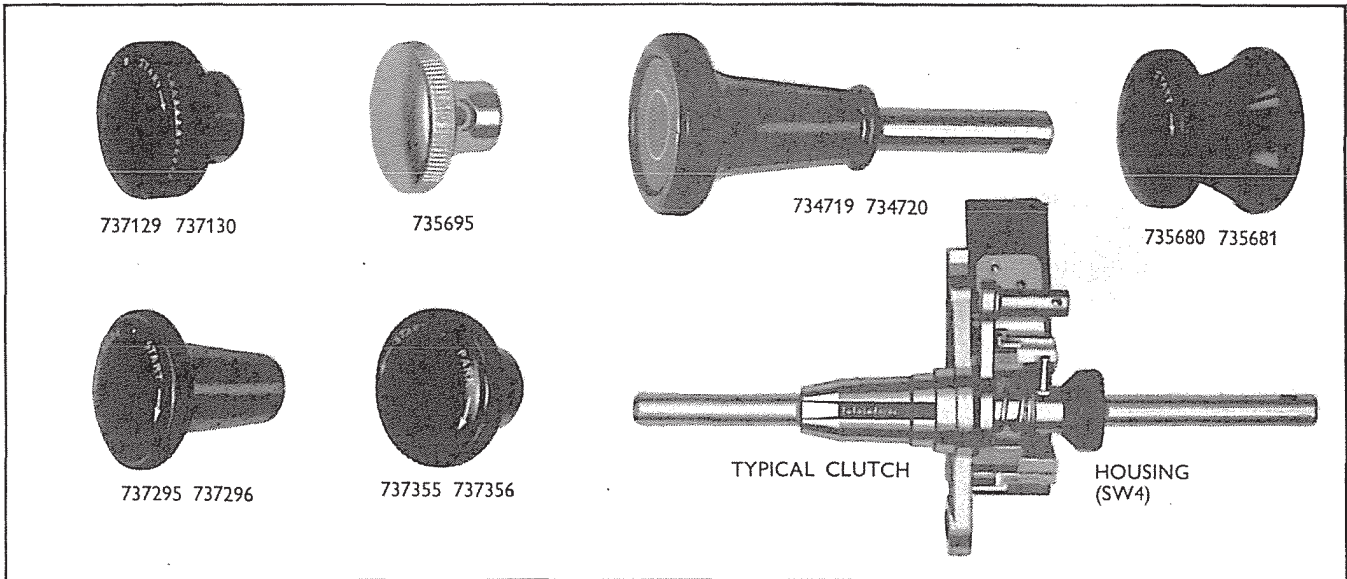
§ Recommended spares for stock





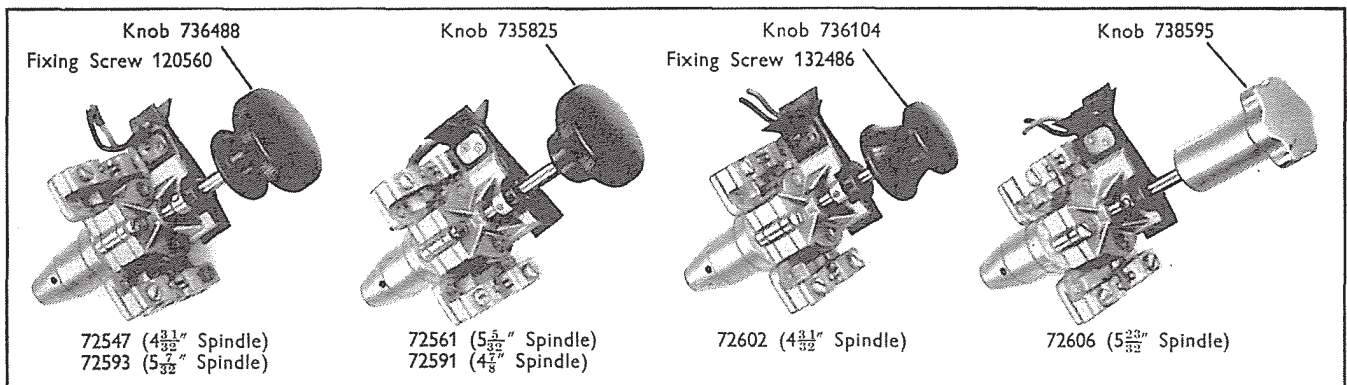
# CLUTCH HOUSINGS AND CONTROL BOXES

## SW4 CLUTCH HOUSINGS



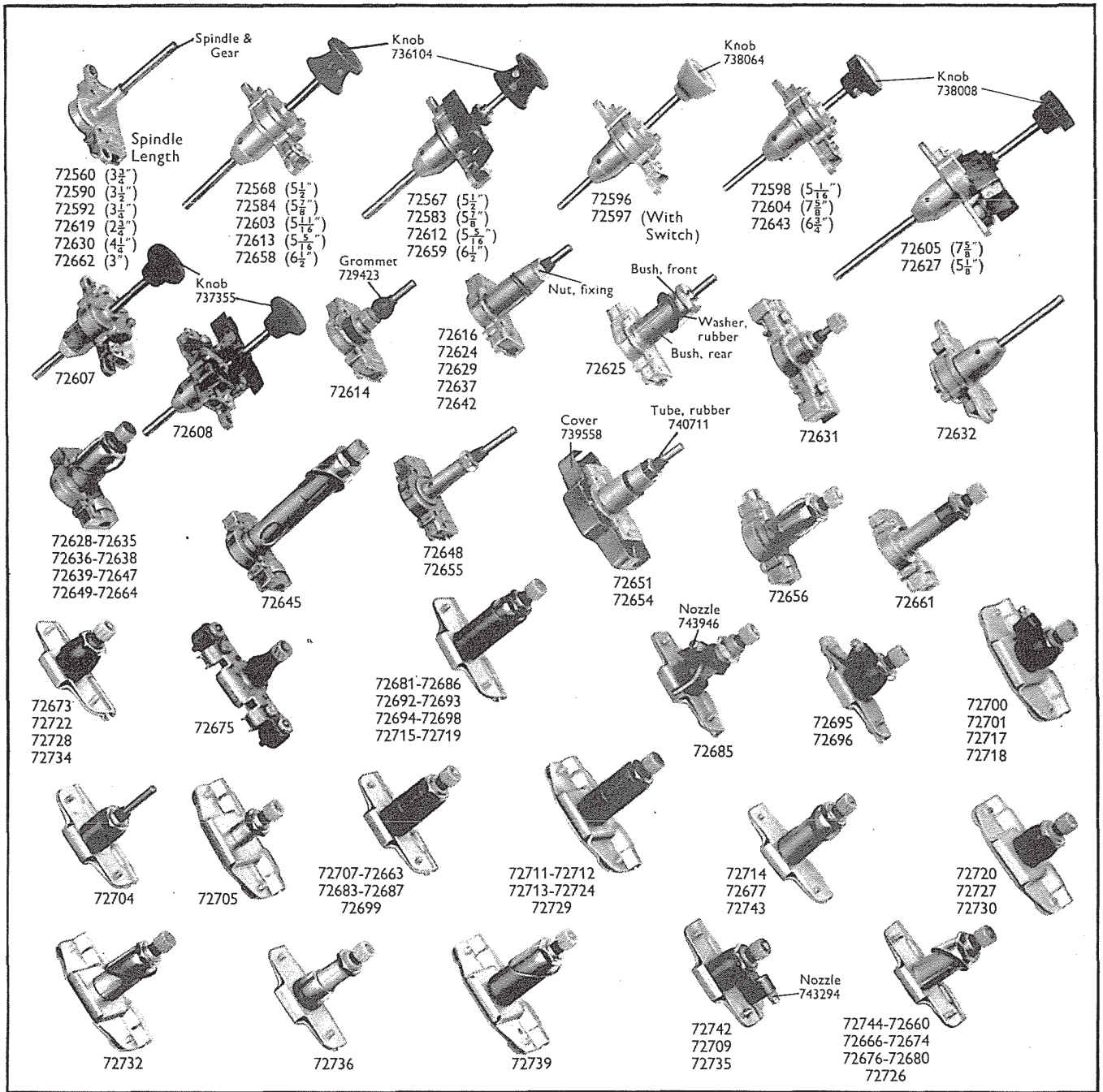
Clutch Housing	Knob	Screw, knob fixing	Clutch Housing	Knob	Screw, knob fixing
735471	737355	132486	737066	737356	132486
735691	735680	132486	737085	735695	132486
737013	737355	132486	737186	734720	132486
737038	737296	132486	737266	737356	132486
737039	737295	132486	737357	737355	132486
737065	737355	132486	737412	737129	132486

## CONTROL BOXES (Windshield Wiper) DETAILED SPARE PARTS



Part No.	72547	72561	72591	72593	72602	72606
Model	CR1	CR1	CR1	CR1	CR6 CRT16	CR1 CRT11
Gear wheel, fixed	735883	735883	735883	735883	735883	735883
Gear wheel, free	736290	730290	736290	736290	736290	736290
Knob	736488	735825	735825	736488	736104	738595
Screw, knob fixing	120560	132504	132504	120560	132504	132504

# WHEELBOXES (Windshield Wiper)



## DETAILED SPARE PARTS

Part No.	†72548A/K	72560A/K	†72564A/F	†72565A/J	72567A/H	72568A/E	72583A/H	72584A/E
Replaced by (see footnote)	(72662)	—	(72658)	(72659)	—	—	—	—
§Spindle and gear	736056	736056	742100	—	—	742100	—	—
Screw, cover fixing	110714	110714	132504	132504	132504	132504	132504	132504
Screw, clamp fixing	110714	110714	129524	129524	129524	129524	129524	129524
§Knob	—	—	736104	736104	736104	736104	736104	736104

For detailed spare parts, see also pages R22-R23

Note. For replacement wheelbox spare parts, see appropriate column under part number  
 § Recommended spares for stock

† When ordering, quote part number shown in brackets

continued



# WHEELBOXES (Windshield Wiper)

## DETAILED SPARE PARTS

Part No.	72590A/K	72592A/K	72596A/D	72597A/H	72598A/D	72603A/E	72604A/D	72605A/D	72607A/B
§Spindle and gear	736056	736056	—	—	728233	738172	—	—	738632
Screw, cover fixing	110714	110714	132504	132504	132504	132504	132504	132504	132504
Screw, clamp fixing	110714	110714	129524	129524	129524	129524	129524	129524	129524
§Knob	—	—	738064	738064	738008	736104	738008	738008	737355

Part No.	72608A/D	72612A/B	72613A/B	72614A/F	72616A/M	72619A/F	72624A/H	72625A/E
§Spindle and gear	—	—	—	736056	736056	736056	736056	736056
Tube, rubber, spindle	—	—	—	—	740711	—	740711	—
Nut, wheelbox fixing	—	—	—	170423	181261	228375	181261	—
Bush, rear	—	—	—	—	738948	736170	739634	740656
Bush, front	—	—	—	—	738949	—	739635	740657
Washer, rubber	—	—	—	146303	163356	146380	163356	740659
Cover	—	—	—	—	—	739558	—	—
Screw, cover fixing	132504	132504	132504	110714	110714	110714	110714	110714
Screw, clamp fixing	129524	129524	129524	110714	110714	110714	110714	110714
§Grommet	—	—	—	729423	—	729423	—	—
§Knob	737355	736104	736104	—	—	—	—	—

Part No.	72627A/B	72628A/H	72629A/D	72630A/F	72631A/B	72632A	72635B	72636D	72637A/E
§Spindle and gear	—	740786	736056	740483	740892	742100	740835	740786	736056
Tube, rubber, spindle	—	740711	740711	—	740711	—	740711	740711	740711
Nut, wheelbox fixing	—	153511	181261	—	740795	—	153511	153511	181261
Bush, front	—	740657	740476	—	188408	—	740834	740818	—
Bush, rear	—	740656	740477	—	166019	—	740833	740819	—
Washer, rubber	—	740659	740478	—	740794	—	740820	740820	163356
Screw, cover fixing	132504	110714	110714	126486	110714	110714	110714	110714	110714
Screw, clamp fixing	129524	110714	110714	110714	127824	129524	110714	110714	110714
§Knob	738008	—	—	—	—	—	—	—	—

Part No.	72638B	72639D	72642A/E	72643A	72645D	72647B	72648A/B	72649B
§Spindle and gear	740835	740786	736056	741807	740897	740786	736056	740786
Tube, rubber, spindle	740711	740711	740711	—	740711	740711	740711	740711
Nut, wheelbox fixing	153511	153511	181261	—	153511	153511	181261	153511
Bush, front	—	740880	741802	—	740909	740922	—	740961
Bush, centre	—	—	—	—	740908	—	—	—
Bush, rear	—	740881	741801	—	740907	740923	—	740962
Washer, rubber	740820	740882	740478	—	740910	740925	146303	740882
Screw, cover fixing	110714	110714	110714	100863	110714	110714	110714	110714
Screw, clamp fixing	110714	110714	110714	129524	110714	110714	110714	110714
§Knob	—	—	—	738008	—	—	—	—

Part No.	72651A	72654A	72655A	72656A	72658A	72659A	72660A/B	72661A/B
§Spindle and gear	736056	736056	736056	740786	742100	—	740786	745321
Tube, rubber, spindle	740711	740711	740711	740711	—	—	740711	740711
Nut, wheelbox fixing	181261	181261	181261	153511	—	—	153511	153511
Bush, front	742066	742086	—	740880	—	—	740818	—
Bush, rear	742067	742087	742090	—	—	—	743158	—
Washer, rubber	163356	163356	163356	—	—	—	740820	—
Cover	739558	739558	—	—	—	—	—	—
Screw, cover fixing	110714	110714	110714	110714	100863	100863	126444	110714
Screw, clamp fixing	110714	110714	110714	110714	129524	129524	—	110714
§Grommet	—	—	—	—	—	—	—	185040
§Knob	—	—	—	—	736104	736104	—	—

Part No.	72662A	72663A/H	72664A	†72665A/B (72699)	72666A	†72670A (72656)	†72671A (72636)	72673A/B
Replaced by (see footnote)	—	—	—	—	—	—	—	—
§Spindle and gear	736056	740786	745137	740786	740786	740786	740786	743088
Tube, rubber, spindle	—	740711	740711	740711	740711	740711	740711	740711
Nut, wheelbox fixing	—	153511	153511	153511	153511	153511	153511	153511
Bush, front	—	745143	745128	745145	745154	740880	—	743779
Bush, rear	—	745142	745124	745144	745155	740881	—	743780
Washer, rubber	—	—	740882	—	745156	740882	740820	—
Cover	—	—	—	743141	—	—	—	—
Screw, cover fixing	110714	110714	110714	126444	126444	126444	110714	110714
Screw, clamp fixing	110714	—	110714	—	—	—	110714	—

For illustrations, see page R21

Note. For replacement wheelbox spare parts, see appropriate column under part number † When ordering, quote part number shown in brackets  
 ‡ Nut, clamp screw § Recommended spares for stock ¶ Washer, spring, clamp screw

# WHEELBOXES (Windshield Wiper)



## DETAILED SPARE PARTS

Part No. . . . .	†72674A/B (72744)	72675A/B —	72676A/D —	72677A/B —	72680A/D —	72681A/B —	†72682A/D (72685)	72683A/B —
§Spindle and gear . . . . .	740786	745188	740955	740786	740786	745137	740786	740835
Tube, rubber, spindle . . . . .	740711	‡745283	740711	740711	740711	740711	740711	740711
Nut, wheelbox fixing . . . . .	153511	177036	153511	153511	153511	153511	153511	153511
Bush, front . . . . .	740880	‡745258	740818	743889	745205	743992	743946	740834
Nozzle . . . . .	—	—	—	—	—	—	743294	—
Bush, rear . . . . .	743508	—	743783	743890	745208	743938	744151	744101
Washer, rubber . . . . .	740882	¶185051	—	740925	745207	740925	—	740820
Cover . . . . .	—	—	—	—	—	—	—	—
Screw, cover fixing . . . . .	126444	126903	110714	126444	126444	126444	110714	126444
Screw, clamp fixing . . . . .	—	127824	—	—	—	—	—	—
Nut, clamp fixing . . . . .	—	166032	—	—	—	—	—	—
Washer, clamp fixing . . . . .	—	188408	—	—	—	—	—	—

Part No. . . . .	72685A/E —	72686A/B —	72687A/B —	†72688A/B (72660)	72692A/D —	72693A/D —	72694A/B —	72695A/D —
§Spindle and gear . . . . .	740786	740786	740786	740786	744544	740786	740786	743088
Tube, rubber, spindle . . . . .	740711	740711	740711	740711	740711	740711	740711	740711
Nut, wheelbox fixing . . . . .	153511	153511	153511	153511	153511	153511	153511	153511
Bush, front . . . . .	743946	740880	744293	—	743992	745128	740922	744531
Nozzle . . . . .	743294	—	—	—	—	—	—	743294
Bush, rear . . . . .	744151	744281	744294	743158	744525	744545	744557	744455
Washer, rubber . . . . .	—	740882	—	—	740925	744551	740925	—
Cover . . . . .	—	—	—	—	—	—	—	—
Screw, cover fixing . . . . .	110714	126444	126444	126444	126444	126444	126444	110714

Part No. . . . .	72696A/D —	72698A/B —	72699A/B —	72700A —	72701A —	†72702A (72673)	†72703A/E (72699)	72704A/B —
§Spindle and gear . . . . .	743088	740786	740786	745874	745874	743088	740786	744579
Tube, rubber, spindle . . . . .	740711	740711	740711	740711	740711	740711	740711	—
Nut, wheelbox fixing . . . . .	153511	153511	153511	153511	153511	153511	153511	153511
Bush, front . . . . .	744859	740961	745145	744531	744859	743779	—	744357
Nozzle . . . . .	743294	—	—	743294	743294	—	—	—
Bush, rear . . . . .	744455	744983	745144	744455	744455	743780	54711303	744358
Washer, rubber . . . . .	—	740882	—	—	—	—	—	—
Cover . . . . .	—	740925	—	—	—	—	—	—
Screw, cover fixing . . . . .	110714	126444	110714	110714	110714	110714	126444	126444

Part No. . . . .	72705A	72707A	72709A	72711A	72712A	72713A/B	72714A	72715A	72717A
§Spindle and gear . . . . .	748751	740786	743088	748752	748752	748752	740786	740786	745874
Tube, rubber, spindle . . . . .	740711	740711	740711	740711	740711	740711	740711	740711	740711
Nut, wheelbox fixing . . . . .	153511	153511	153511	153511	153511	153511	153511	153511	153511
Bush, front . . . . .	—	744293	745629	745145	54710155	744293	743889	740961	54710683
Nozzle . . . . .	—	—	743294	—	—	—	—	—	54710699
Bush, rear . . . . .	—	744358	743780	745144	54710155	744358	743890	744983	744455
Washer, rubber . . . . .	—	—	—	—	740820	740820	740925	740882	—
Cover . . . . .	—	—	—	—	—	—	—	—	—
Screw, cover fixing . . . . .	110714	126444	110714	110714	110714	110714	126444	126444	110714

Part No. . . . .	72718A	72719A	72720A	72722A	72724A	72726A	72727A	72728A	72729A
§Spindle and gear . . . . .	745874	740786	745874	743088	748752	740835	745874	743088	748752
Tube, rubber, spindle . . . . .	740711	740711	740711	740711	740711	740711	740711	740711	740711
Nut, wheelbox fixing . . . . .	153511	153511	153511	153511	153511	153511	153511	153511	153511
Bush, front . . . . .	54710682	740657	54710150	744293	54710463	740880	743779	54711100	740961
Nozzle . . . . .	54710699	—	—	—	—	—	—	—	—
Bush, rear . . . . .	744455	54710776	54710644	744358	744358	743508	743780	54711101	744983
Washer, rubber . . . . .	—	740659	—	—	—	740882	—	—	740882
Cover . . . . .	—	—	—	—	—	—	—	—	—
Screw, cover fixing . . . . .	110714	126444	110714	126444	110714	126444	110714	110714	110714

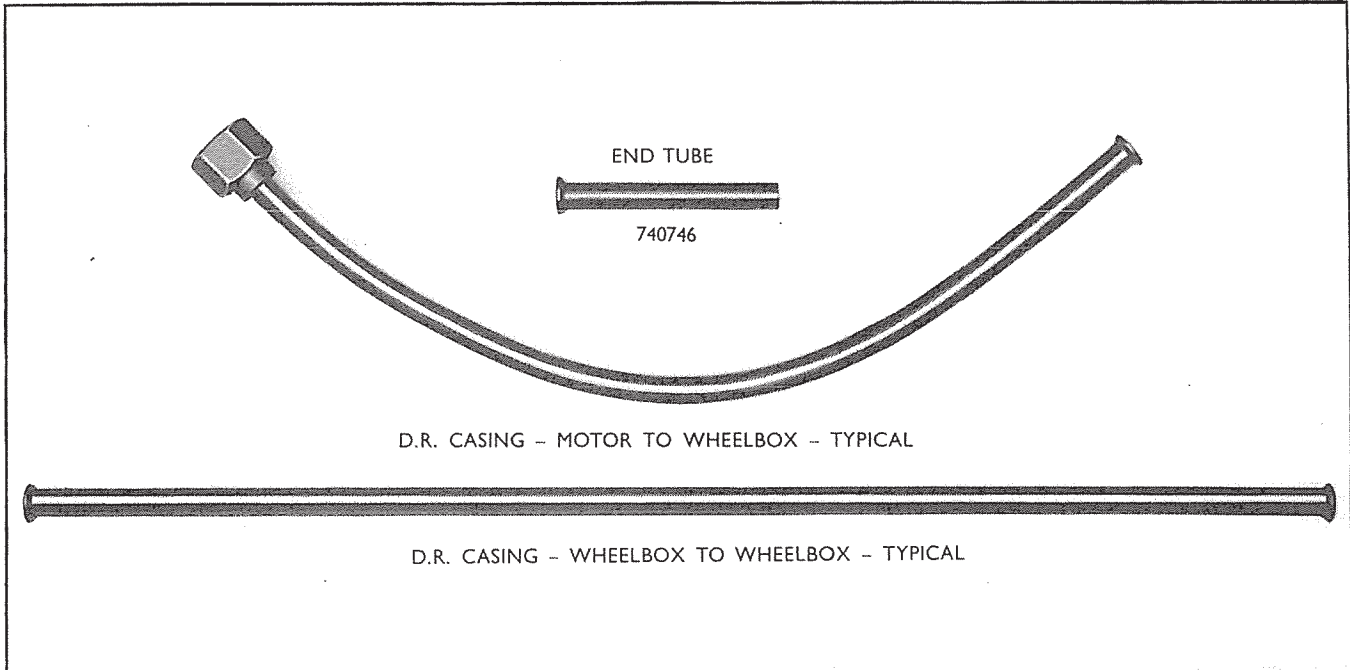
Part No. . . . .	72730A	72732A	72734A	72735A	72736A	72739A	72742A	72743A	72744A
§Spindle and gear . . . . .	745874	748752	743088	743088	740786	748753	743088	744544	740786
Tube, rubber, spindle . . . . .	740711	740711	740711	740711	740711	740711	740711	740711	740711
Nut, wheelbox fixing . . . . .	153511	153511	153511	153511	153511	153511	153511	153511	153511
Bush, front . . . . .	744454	740880	54711034	54711882	740818	740880	54712339	745128	740880
Nozzle . . . . .	—	—	—	743294	—	—	743294	—	—
Bush, rear . . . . .	744455	743508	54711033	54711033	743158	54712207	54711033	54711368	743508
Washer, rubber . . . . .	—	740882	—	—	740820	740882	—	744551	740882
Cover . . . . .	—	—	—	—	—	—	—	—	—
Screw, cover fixing . . . . .	110714	110714	110714	110714	110714	110714	110714	110714	110714

For illustrations, see page R21

Note. For replacement wheelbox spare parts, see appropriate column under part number    † When ordering, quote part number shown in brackets  
 ‡ Body, wheelbox    § Recommended spares for stock    ¶ Stud, fixing    ¶ Washer, fixing nut



# DR TYPE CASINGS FOR CABLE RACKS



## DR TYPE CASINGS

MOTOR TO WHEELBOX				WHEELBOX TO WHEELBOX			
Part No.	Part No.	Part No.	Part No.	Part No.	Part No.	Part No.	Part No.
740713	744007	745138	54710414	740714	744006	745039	54710180
740770	744048	745150	54710508	740776	744150	745066	54710208
740775	744099	745153	54710509	740779	744198	745119	54710349
740778	744149	745162	54710550	740781	744217	745127	54710363
740780	744197	745170	54710610	740782	744219	745133	54710551
740816	744249	745186	54710619	740814	744280	745139	54710612
740867	744283	745227	54710655	740889	744284	745151	54710620
740901	744299	745277	54710692	740917	744300	745168	54710693
740916	744306	745290	54710694	740953	744307	745179	54710695
740952	744327	745387	54710706	740963	744404	745226	54710839
740954	744403	745436	54710707	740982	744462	745278	54710839
740969	744463	745554	54710837	743317	744528	745386	54710951
743316	744529	745677	54710838	743510	744547	745555	54711060
743362	744546	745678	54710952	743665	744683	745713	54711250
743509	744550	745806	54711025	743706	744739	745807	54711271
743517	744682	747248	54711026	743711	744891	748795	54711647
743599	744738	748794	54711059	743778	745005	748803	54711649
743664	744838	748802	54711248	743819	745030	748868	54711716
743708	744892	748867	54711249	743881	745032	54710173	54712199
743709	745029	54710142	54711270				
743710	745037	54710143	54711301				
743777	745038	54710174	54711585				
743818	745050	54710186	54711609				
743880	745054	54710207	54711632				
743920	745065	54710280	54711646				
743940	745118	54710362	54711648				
743981	745132	54710413	54712198				
				<b>END TUBE</b>			
				Part No.	..	..	740746

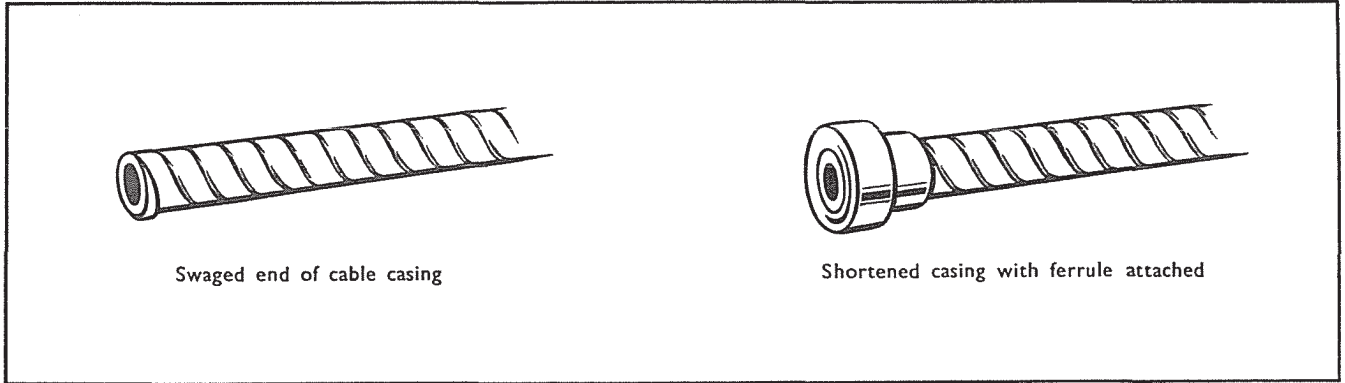


# CABLE RACKS AND CASINGS



## FLEXIBLE CASINGS FOR CABLE RACKS

(CR and CRT Windshield Wipers)



Swaged end of cable casing

Shortened casing with ferrule attached

To simplify service on flexible outer cable rack casings for CR and CRT wiper mechanisms, we are now stocking these items in a number of standard lengths. This supersedes the previous arrangement of supplying special lengths of cable to suit each particular vehicle. The standard lengths now supplied are:

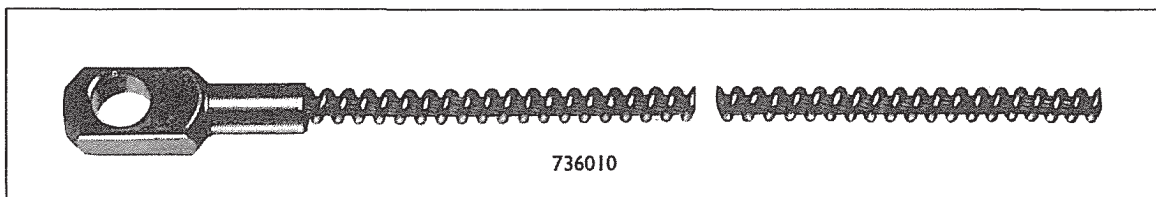
Length of Cable	Part No.	Length of Cable	Part No.
5 $\frac{1}{4}$ "	739833	22"	739868
10 $\frac{1}{2}$ "	739844	33 $\frac{11}{16}$ "	739858
16 $\frac{9}{32}$ "	739879	39 $\frac{1}{4}$ "	739866
20 $\frac{1}{2}$ "	739870		

When it is necessary to shorten the casing, it can be cut with a hacksaw to the required length. All rough edges should be cleaned off with a file after cutting.

If the length of casing required for the run between the gearbox and first wheelbox has to be shortened, a piece from the swaged end of the casing (see diagram) should be cut off. After cleaning, the loose ferrule, Part No. 738410 which is supplied with the kit, should be sweated on to the casing with its chamfered edge facing outwards to provide a lead-in for the inner driving cable. A normal soft solder can be used to secure the ferrule provided that the end of the casing and the bore of the ferrule are cleaned and tinned before assembly.

It is not necessary to solder a ferrule on to the length of casing fitted between the two wheelboxes; the casing clamps are sufficient to locate this straight run of cable where no flexing takes place.

## CABLE RACKS



736010

For service purposes, cable rack assemblies are supplied in standard lengths. These may be cut down as required. Details of those available are shown below.

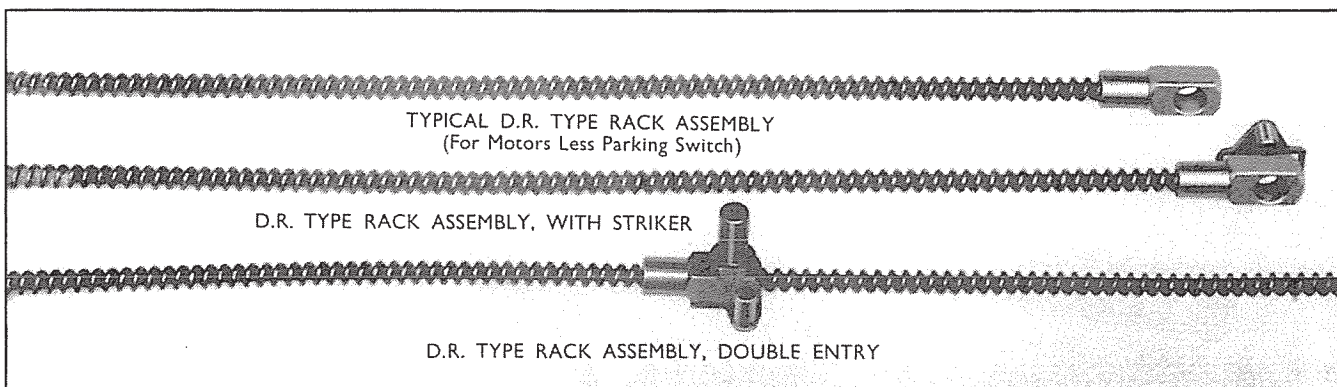
### 4W and CR WIPERS

Length	Part No.	Length	Part No.
5 $\frac{5}{16}$ "	738006	38 $\frac{9}{16}$ "	736177
13 $\frac{11}{16}$ "	736121	42 $\frac{9}{16}$ "	744833
21 $\frac{9}{16}$ "	738987	46 $\frac{5}{16}$ "	736307
27 $\frac{9}{16}$ "	736364	53 $\frac{7}{8}$ "	738499
33 $\frac{1}{16}$ "	738764	61 $\frac{9}{16}$ "	738223

Part No. 736024; Length 32 $\frac{1}{2}$ "; special guide block (no hole)



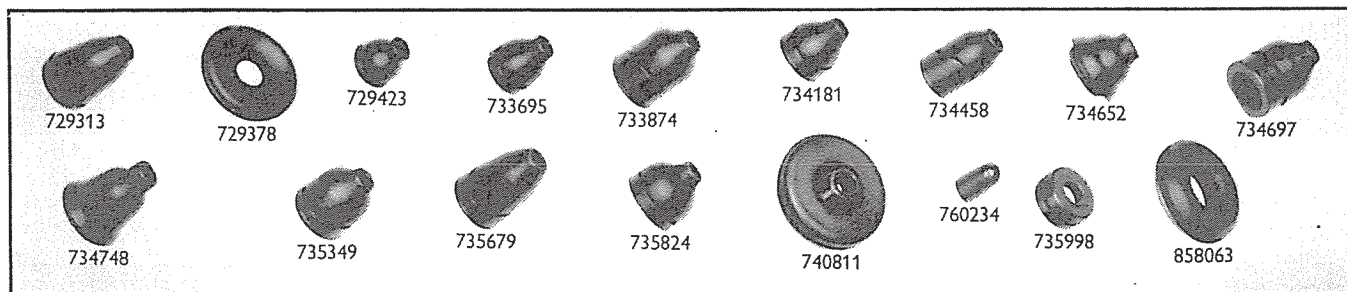
# CABLE RACKS (Windshield Wiper)



For service purposes, cable rack assemblies are supplied in standard lengths. These may be cut down as required. Details of those available are shown below.

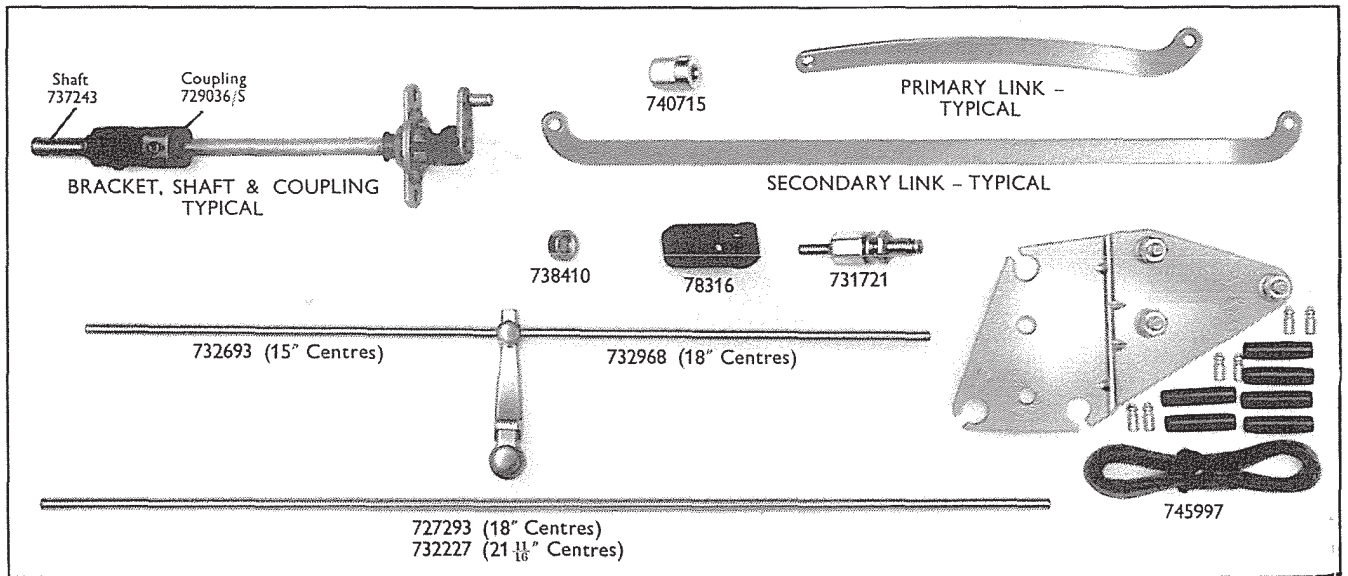
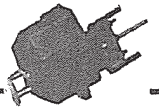
DR1 WIPERS		DR2 WIPERS		DR2 WIPERS (Double Entry)		DR3 WIPERS	
Length	Part No.	Length	Part No.	Length	Part No.	Length	Part No.
26 $\frac{33}{32}$ "	743209	35 $\frac{33}{32}$ "	743221	27 $\frac{1}{2}$ "	743957	20 $\frac{29}{32}$ "	54712402
42 $\frac{31}{32}$ "	741263	41 $\frac{33}{32}$ "	743229	35 $\frac{1}{2}$ "	743722	37 $\frac{13}{32}$ "	744254
50 $\frac{5}{32}$ "	741264	46 $\frac{13}{32}$ "	743235	39 $\frac{1}{2}$ "	743955	47 $\frac{29}{32}$ "	744256
56 $\frac{5}{32}$ "	741262	48 $\frac{31}{32}$ "	743238	40 $\frac{1}{4}$ "	743950	50 $\frac{5}{32}$ "	744250
59 $\frac{33}{32}$ "	741268	52 $\frac{13}{32}$ "	743243	41"	743959	56 $\frac{5}{32}$ "	744257
		58 $\frac{13}{32}$ "	743251			59 $\frac{33}{32}$ "	744258
		60 $\frac{31}{32}$ "	743254				

## GROMMETS



Part No.	Model	Fitted to
729313	CR4, CRT14 and SW4 .. .. .	Morgan, Sunbeam-Talbot and Triumph.
729378	SW4 .. .. .	Commer, Hillman, Jaguar, Lea Francis, Morgan, Morris, Rover, Singer, Standard, Sunbeam-Talbot, Triumph and Wolseley.
729423	CR1, CR2, CR4, CR6, CRT15 and SW4	Allard, Alvis, Aston Martin, Austin, Commer, Daimler, Healey, Jaguar, Karrier and Rover.
733695	CR4, CR6, CRT12 and SW4 .. .. .	Austin, Citroen, Healey and Jensen.
733874	CR2, CR4, CRT12, CRT14 and SW4 ..	Citroen, Commer, Hillman, Lea Francis, Rover, Singer, Standard and Wolseley.
734181	CR2, CR4, CRT14 and SW4 .. .. .	Alvis, Humber, Jaguar, Jensen, Lanchester, Singer and Standard.
734458	CR1, CR2, CR4, CRT14 and SW4 ..	Allard, Bristol, Commer, H.R.G., Jaguar, Karrier, Lea Francis, Morris, Nash-Healey and Riley.
734652	CR2 and SW4 .. .. .	Daimler, Lanchester, Riley and Wolseley.
734697	CR1, CR2 and CRT14 .. .. .	Alvis, Jowett and M.G.
734748	SW4 .. .. .	Wolseley.
735349	CR2, CR4, CRT14 and SW4 .. .. .	Commer, Daimler, Jowett, Rover and Triumph.
735679	SW4 .. .. .	Riley and Standard.
735824	CR1, CR4 and CRT14 .. .. .	Armstrong Siddeley, Humber and Lea Francis.
740811	DR .. .. .	A.C. Cars, Alvis, Aston Martin, Austin, Citroen, Daimler, Jaguar, M.G., Morris, Riley, Simca Aronde and Wolseley.
760234	CRT .. .. .	Daimler.
735998	CRT, CRT12 and CRT14 .. .. .	Conversion sets.
858063	CRT, CRT12 and CRT14 .. .. .	Conversion sets.

# WINDSHIELD WIPER SUNDRIES



## CW WIPER DETAILS

### Couplings

Part No.	Size	Finish	Special Features
727293	18" centres .. .. .	Chromium plated .. .. .	Tubular; threaded both ends.
732191	18" centres .. .. .	Chromium plated .. .. .	Square bar.
732227	21 1/16" centres .. .. .	Chromium plated .. .. .	Tubular; threaded both ends.
732693	15" centres .. .. .	Chromium plated .. .. .	Tubular; threaded both ends.
732968	18" centres .. .. .	Chromium plated .. .. .	Tubular; threaded both ends.

## DR WIPER DETAILS

Bracket, fixing	Ferrule	Circuit breaker
Part No. . . . . ‡745997	Part Nos. . . . . 738410 740715	Part No. . . . . 78316

## SW4 WIPER DETAILS

Links, primary		Links, secondary		Brackets	Shafts
Part No.	Size	Part No.	Size	Part No.	Part No.
733813	6 3/4" centres	729234	17" centres	733826	735594
733820	11 1/8" centres	733817	14" centres	734476	737054
734457	6 1/8" centres	733819	18 1/4" centres	734489	737243
734463	5 1/4" centres	734455	16" centres	734625	737273
734756	8 1/2" centres	734787	16" centres	734678	
735383	4 3/8" centres	735501	14 3/8" centres	734747	
735448	6" centres	735683	19" centres	735395	
735685	8 7/16" centres	735686	15 1/16" centres	735404	
735697	5 1/8" centres	735687	12 1/16" centres	737306	
737067	8 1/2" centres	737071	13" centres		
737095	5 1/16" centres	737097	17 1/2" centres		
737166	6 3/8" centres	737167	18" centres		
737274	5 1/8" centres	737281	16" centres		
737297	6 3/4" centres	737285	7 5/16" centres		
737337	9 5/8" centres	737312	18" centres		
		737336	18" centres		
		737338	18" centres		

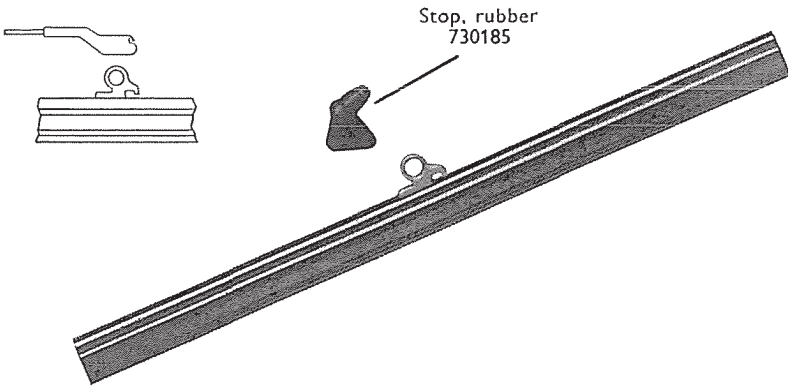
‡ Used when replacing DR1 motor by DR3 type



# WINDSHIELD WIPER BLADES

## WIPER BLADES FOR FLAT SCREENS

### STANDARD HOOK TYPE

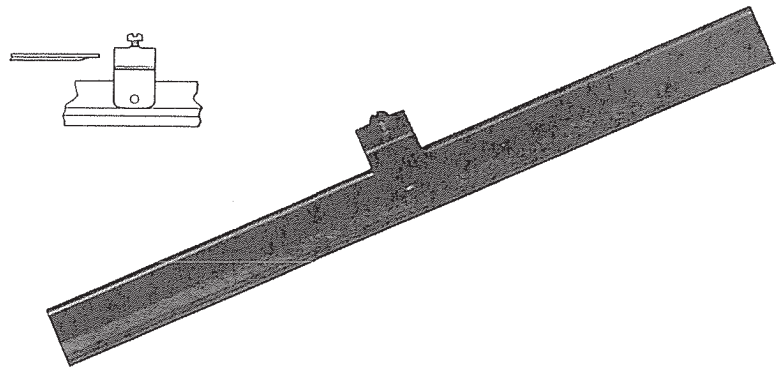


Length	Part No.	Finish	Type of Rubber
6"	727804	Black	5-ply
6"	727809	Chrome	5-ply
7"	727784	Chrome	5-ply
7"	727801	Black	5-ply
7½"	737424	Chrome	5-ply
8"	727707	Chrome	5-ply
8"	727802	Black	5-ply
9"	727759	Chrome	5-ply
9"	727803	Black	5-ply
10"	732642	Stainless	5-ply
11"	737673	Black	5-ply
11"	737800	Chrome	5-ply

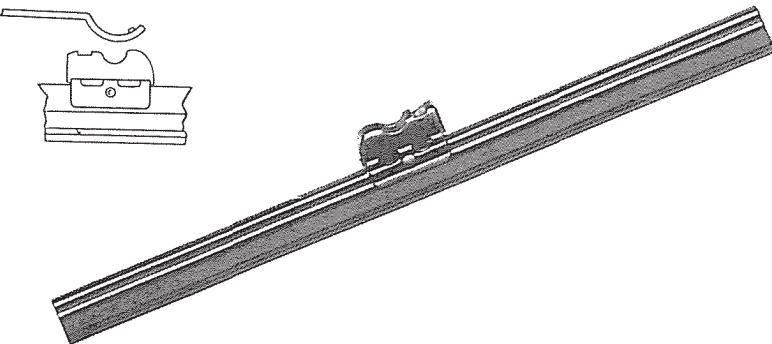
STOP, RUBBER. Part No. 730185 is used with all standard type blades.

### SCREW FIXING TYPE

Length	Part No.	Finish	Type of Rubber
11½"	738930	Black	5-ply



### WRIST ACTION TYPE



Length	Part No.	Finish	Type of Rubber
6"	737811	Chrome	5-ply
7"	737680	Chrome	5-ply
8"	†736414	Chrome	5-ply
8"	‡737681	Chrome	5-ply
9"	736412	Chrome	5-ply
9"	741543	Chrome	Moulded
10"	736428	Chrome	5-ply
10"	741680	Chrome	Moulded
11"	737883	Chrome	5-ply
12"	737886	Chrome	5-ply

† Die cast swivel carrier

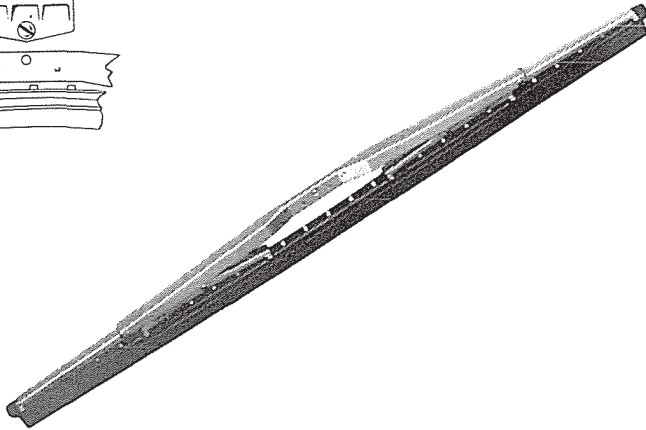
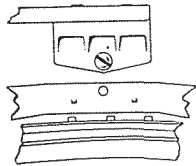
‡ Pressed carrier

continued

# WINDSHIELD WIPER BLADES



## WIPER BLADES FOR CURVED SCREENS



### SCREW FIXING TYPE

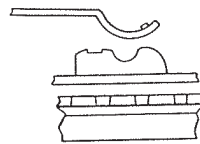
Length	Part No.	Finish	Type of Rubber
18"	54711074	Silver grey	Moulded

### DETAILED PARTS

Description	Part No.
Rubber, with backing plate ..	54712384
Cap, rubber retaining .. ..	54712385

## WRIST ACTION (RAINBOW) TYPE

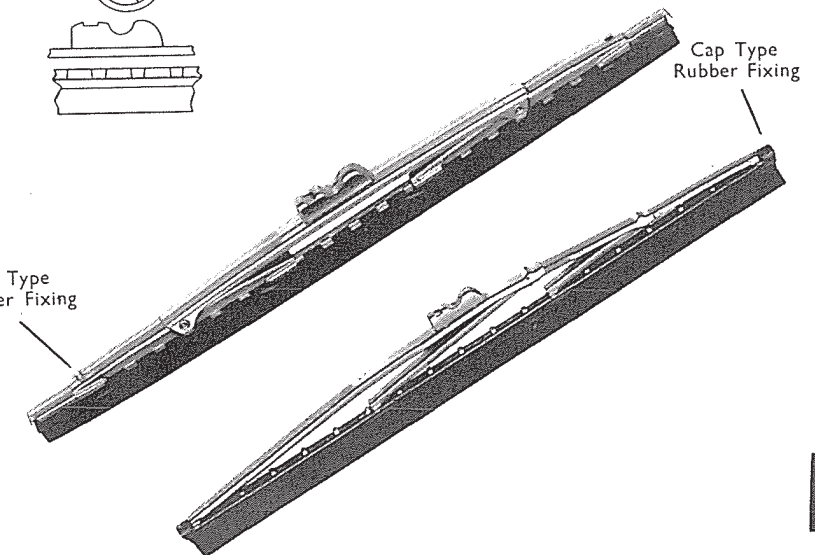
Length	Part No.	Finish	Type of Rubber
8"	737910	Chrome	Moulded
9"	738724	Chrome	Moulded
10"	54710656	Chrome	Moulded
10"	54711614	Chrome	Moulded
11"	737897	Chrome	Moulded
11"	54711280	Chrome	Moulded



### DETAILED PARTS

	737897	737910	738724
Rubber, with backing plate .. ..	737918	737919	738736
Cap, rubber retaining	737916	—	—
Peg .. .. .	—	737675	737675
	54710656	54711280	54711614
Rubber, with backing plate .. ..	54711103	54711780	54713149
Cap, rubber retaining	—	737916	737916
Peg .. .. .	54710968	—	—

Peg Type Rubber Fixing



continued



# WINDSHIELD WIPER BLADES

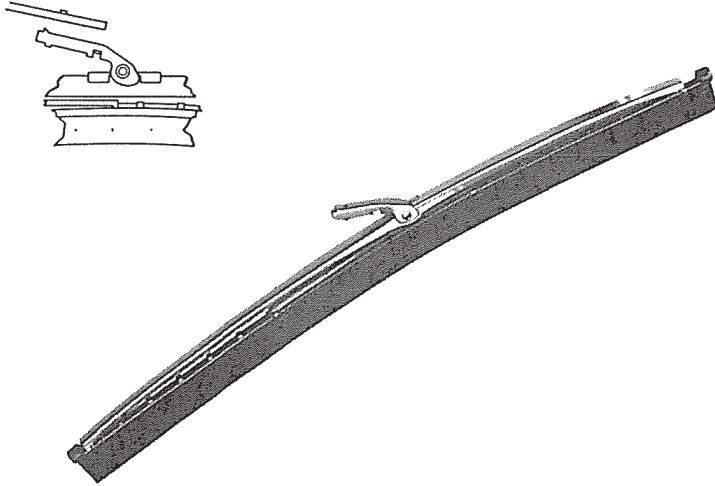
## WIPER BLADES FOR CURVED SCREENS

### BAYONET TYPE

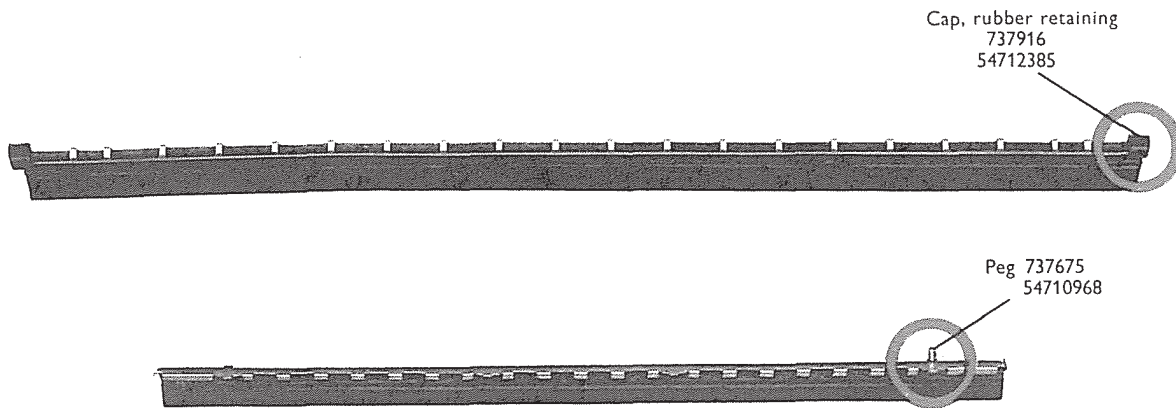
Length	Part No.	Finish	Type of Rubber
10"	54711613	Chrome	Moulded
11"	54711281	Chrome	Moulded
11"	54711282	Chrome	Moulded
12"	54711283	Chrome	Moulded
14"	54711284	Silver grey	Moulded
14"	54711285	Chrome	Moulded

### DETAILED PARTS

	54711281	54711282	54711283
Rubber, with backing plate . . . .	54711743	54711780	54711781
Cap, rubber retaining	737916	737916	737916
	54711284	54711285	54711613
Rubber, with backing plate . . . .	54712205	54712205	54712462
Cap, rubber retaining	737916	737916	737916



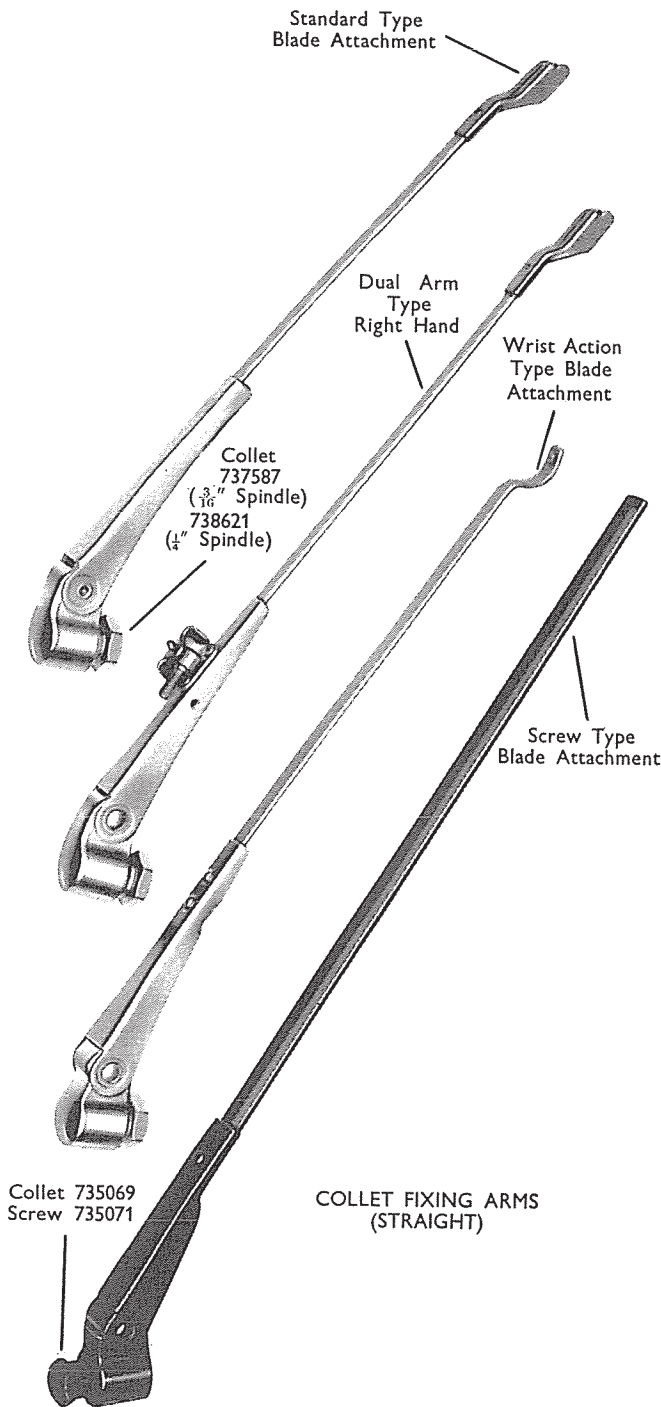
## RUBBER AND BACKING PLATE ASSEMBLIES FOR RAINBOW BLADES



# WINDSHIELD WIPER ARMS



## COLLET FIXING



### STRAIGHT — Standard Type Blade Attachment

Length	Part No.	Finish	Spindle Size	Special Features
5 1/2" - 7 3/8"	735097	Black	3/16"	Adjustable
5 1/2" - 7 3/8"	735099	Chrome	3/16"	Adjustable
7 1/2" - 9"	737839	Chrome	1/4"	Adjustable; lock back
8 1/2"	735052	Chrome	1/4"	—
8 1/2"	735054	Black	1/4"	—
9"	735060	Black	1/4"	—
9"	742312	Chrome	3/16"	Lock back
9 1/2"	735064	Black	1/4"	—
10 1/2"	735072	Black	1/4"	—
10 1/2"	735156	Black	3/16"	90° lift
10 1/2"	742313	Chrome	3/16"	Lock back

### STRAIGHT — DUAL ARM Standard Type Blade Attachment

Length	Part No.	Finish	Spindle Size	Special Features
4 1/2"	735102	Chrome	3/16"	Dual arm; R.H.
4 1/2"	735103	Chrome	3/16"	Dual arm; L.H.
5 1/2"	735110	Chrome	3/16"	Dual arm; R.H.
5 1/2"	735111	Chrome	3/16"	Dual arm, L.H.
6 1/2"	735118	Chrome	3/16"	Dual arm; R.H.
6 1/2"	735119	Chrome	3/16"	Dual arm; L.H.
8"	735132	Chrome	3/16"	Dual arm; R.H.
8"	735133	Chrome	3/16"	Dual arm; L.H.
9 1/2"	735144	Chrome	3/16"	Dual arm; R.H.
9 1/2"	735145	Chrome	3/16"	Dual arm; L.H.

### STRAIGHT — Wrist Action Type Blade Attachment

Length	Part No.	Finish	Spindle Size	Special Features
6"	742294	Chrome	1/4"	Lock back
7"	742295	Chrome	1/4"	Lock back
7 1/2"	742290	Chrome	1/4"	Lock back
7 1/2"	742297	Chrome	3/16"	Lock back
8"	742291	Chrome	1/4"	Lock back
8 1/2"	736423	Chrome	1/4"	—
9"	742296	Chrome	1/4"	Lock back
9 1/2"	736430	Chrome	1/4"	—
10 1/2"	742293	Chrome	1/4"	Lock back
10 1/2"	742298	Chrome	3/16"	Lock back

### STRAIGHT — Screw Type Blade Attachment

Length	Part No.	Finish	Spindle Size
10 1/4"	738929	Black	1/4"

continued



# WINDSHIELD WIPER ARMS

## COLLET FIXING

### CRANKED — Standard Type Blade Attachment

Length	Part No.	Finish	Crank	Spindle Size	Special Features
8"	742277	Chrome	15° R.H.	1/4"	Lock back
8 1/2"	737696	Black	15° L.H.	1/4"	—
8 3/4"	742276	Chrome	15° R.H.	1/4"	Lock back
9"	737444	Black	15° R.H.	1/4"	—
9"	737445	Black	15° L.H.	1/4"	—
9"	742272	Chrome	15° R.H.	1/4"	Lock back
9"	742273	Chrome	15° L.H.	1/4"	Lock back
9 1/2"	737762	Black	15° R.H.	1/4"	—
9 1/2"	737763	Black	15° L.H.	1/4"	—
9 1/2"	742274	Chrome	15° R.H.	1/4"	Lock back
9 1/2"	742275	Chrome	15° L.H.	1/4"	Lock back
10"	737639	Black	15° L.H.	1/4"	—
10"	737640	Black	15° R.H.	1/4"	—
10 1/4"	737495	Black	15° R.H.	1/4"	—
10 1/2"	737496	Black	15° L.H.	1/4"	—
10 3/4"	737780	Black	10° R.H.	1/4"	—
10 3/4"	737806	Black	10° L.H.	1/4"	—
10 3/4"	737830	Black	30° L.H.	1/4"	—
10 3/4"	737831	Black	30° R.H.	1/4"	—
10 3/4"	742270	Chrome	15° R.H.	1/4"	Lock back
10 3/4"	742271	Chrome	15° L.H.	1/4"	Lock back
10 3/4"	742280	Chrome	30° R.H.	1/4"	Lock back
10 3/4"	742281	Chrome	30° L.H.	1/4"	Lock back

### CRANKED — Wrist Action Type Blade Attachment

Length	Part No.	Finish	Crank	Spindle Size	Special Features
6"	742156	Chrome	25° L.H.	1/4"	Lock back
6"	742157	Chrome	25° R.H.	1/4"	Lock back
7"	742158	Chrome	15° R.H.	1/4"	Lock back
7"	742159	Chrome	15° L.H.	1/4"	Lock back
8 1/4"	742142	Chrome	10° R.H.	1/4"	Lock back
8 1/4"	742143	Chrome	10° L.H.	1/4"	Lock back
8 1/2"	742150	Chrome	15° R.H.	1/4"	Lock back
8 1/2"	742151	Chrome	15° L.H.	1/4"	Lock back
9"	737575	Chrome	10° R.H.	1/4"	—
9"	742144	Chrome	15° R.H.	1/4"	Lock back
9"	742145	Chrome	15° L.H.	1/4"	Lock back
9"	742160	Chrome	10° L.H.	1/4"	Lock back
9 1/2"	742140	Chrome	10° R.H.	1/4"	Lock back
9 1/2"	742141	Chrome	10° L.H.	1/4"	Lock back
9 1/2"	742146	Chrome	15° R.H.	1/4"	Lock back
9 1/2"	742147	Chrome	15° L.H.	1/4"	Lock back
10"	742154	Chrome	15° R.H.	1/4"	Lock back
10"	742155	Chrome	15° L.H.	1/4"	Lock back
10"	742282	Chrome	20° L.H.	1/4"	Lock back
10"	742349	Chrome	20° R.H.	1/4"	Lock back
10 1/2"	742148	Chrome	15° R.H.	1/4"	Lock back
10 1/2"	742149	Chrome	15° L.H.	1/4"	Lock back
10 3/4"	742152	Chrome	10° R.H.	1/4"	Lock back
10 3/4"	742153	Chrome	10° L.H.	1/4"	Lock back
11 3/16"	745967	Chrome and black	20° R.H.	1/4"	Lock back
11 3/16"	745968	Chrome and black	20° L.H.	1/4"	Lock back





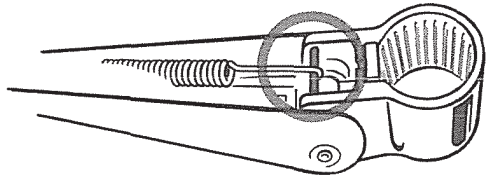
# WINDSHIELD WIPER ARMS



## COLOUR CODE FOR SPRING TENSIONS

Certain coil spring loaded arms are similar in construction except for the difference in pressure exerted on the screen. The correct pressure can be selected by using the following code. The colour of the spring anchor pin denoting the load.

Black ..	3-5 ozs.	Red ..	9-11 ozs.
Green ..	5-7 ozs.	White ..	11-13 ozs.
Blue ..	7-9 ozs.	Yellow ..	13-16 ozs.



Bayonet Type Blade Attachment



SPLINE FIXING ARM  
(CRANKED)

## SPLINE FIXING

### COIL SPRING TYPES

#### CRANKED — Bayonet Type Blade Attachment

Length	Part No.	Finish	Crank	Colour Code
10 $\frac{1}{4}$ "	54711525	Chrome	10° R.H.	Blue
10 $\frac{1}{4}$ "	54711526	Chrome	10° L.H.	Blue
10 $\frac{3}{4}$ "	54712030	Chrome	10° R.H.	Blue
10 $\frac{3}{4}$ "	54712031	Chrome	10° L.H.	Blue
11"	54712027	Chrome	10° R.H.	Yellow
11 $\frac{1}{4}$ "	54711534	Chrome	10° R.H.	Blue
11 $\frac{1}{4}$ "	54711535	Chrome	10° L.H.	Blue
11 $\frac{1}{2}$ "	54710232	Silver grey	10° R.H.	Blue
11 $\frac{1}{2}$ "	54710233	Silver grey	10° L.H.	Blue
11 $\frac{1}{2}$ "	54711212	Chrome	10° L.H.	Red
11 $\frac{1}{2}$ "	54711530	Silver grey	20° R.H.	Blue
11 $\frac{1}{2}$ "	54711531	Silver grey	20° L.H.	Blue
11 $\frac{3}{4}$ "	54711536	Chrome	10° R.H.	Blue
11 $\frac{3}{4}$ "	54711537	Chrome	10° L.H.	Blue
11 $\frac{3}{4}$ "	54711434	Chrome	10° L.H.	Red
12"	54710008	Chrome	10° R.H.	White
12"	54710009	Chrome	10° L.H.	White
12"	†54711431	Chrome	10° R.H.	Blue
12"	†54711432	Chrome	10° L.H.	Blue
12"	54711532	Chrome	10° R.H.	Blue
12"	54711533	Chrome	10° L.H.	Blue
12"	54711552	Chrome	10° R.H.	Red
12"	54711553	Chrome	10° L.H.	Red
12"	54712028	Silver grey	10° R.H.	Blue
12"	54712029	Silver grey	10° L.H.	Blue
12 $\frac{1}{4}$ "	54710230	Silver grey	10° L.H.	Blue
12 $\frac{1}{4}$ "	54710231	Silver grey	10° R.H.	Blue
12 $\frac{1}{2}$ "	54711538	Chrome	10° R.H.	Blue
12 $\frac{1}{2}$ "	54711539	Chrome	10° L.H.	Blue
12 $\frac{1}{2}$ "	54711540	Silver grey	10° R.H.	Blue
12 $\frac{1}{2}$ "	54711541	Silver grey	10° L.H.	Blue
12 $\frac{1}{2}$ "	54711542	Silver grey	15° R.H.	Blue
12 $\frac{1}{2}$ "	54711543	Silver grey	15° L.H.	Blue
13"	54711544	Chrome	10° R.H.	Blue
13"	54711545	Chrome	10° L.H.	Blue
13 $\frac{1}{2}$ "	54711211	Chrome	10° L.H.	White
14"	54711546	Chrome	10° R.H.	Blue
14"	54711547	Chrome	10° L.H.	Blue

## COLLET FIXING

### COIL SPRING TYPES

#### CRANKED — Bayonet Type Blade Attachment

Length	Part No.	Finish	Crank	Colour Code
11 $\frac{1}{4}$ "	745643	Chrome	10° L.H.	Red
11 $\frac{1}{4}$ "	745644	Chrome	10° R.H.	Red

† Special for Rolls-Royce

continued

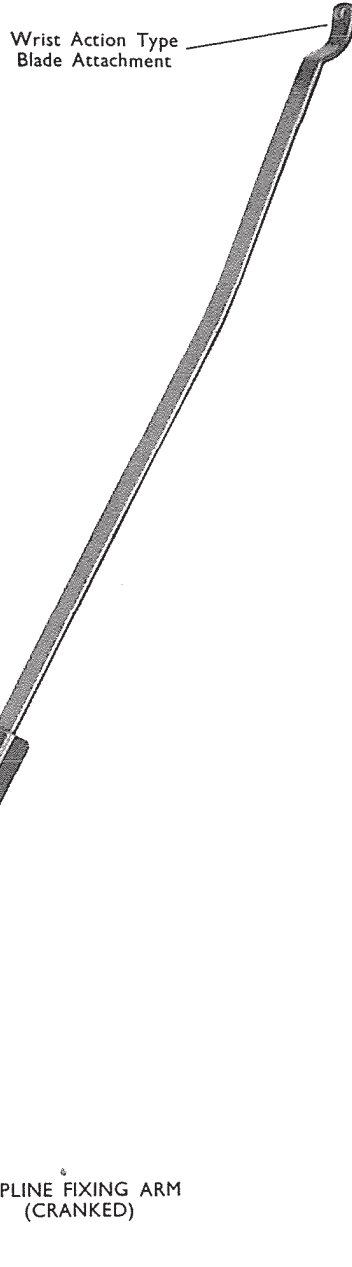


# WINDSHIELD WIPER ARMS

## SPLINE FIXING

### COIL SPRING TYPES

#### CRANKED – Wrist Action Type Blade Attachment



Length	Part No.	Finish	Crank	Colour Code
9"	54711565	Chrome	15° R.H.	Blue
9"	54711566	Chrome	15° L.H.	Blue
9 $\frac{3}{4}$ "	54711567	Chrome	15° R.H.	Blue
9 $\frac{3}{4}$ "	54711568	Chrome	15° L.H.	Blue
10 $\frac{1}{2}$ "	54711557	Chrome	10° R.H.	Green
10 $\frac{1}{2}$ "	54711558	Chrome	10° L.H.	Green
10 $\frac{1}{2}$ "	54711569	Chrome	10° R.H.	Blue
10 $\frac{1}{2}$ "	54711570	Chrome	10° L.H.	Blue
11 $\frac{1}{2}$ "	54711555	Chrome	10° R.H.	Blue
11 $\frac{1}{2}$ "	54711556	Chrome	10° L.H.	Blue
11 $\frac{1}{2}$ "	54711561	Chrome	10° R.H.	Green
11 $\frac{1}{2}$ "	54711562	Chrome	10° L.H.	Green
11 $\frac{1}{2}$ "	54711573	Chrome	10° R.H.	White
11 $\frac{1}{2}$ "	54711574	Chrome	10° L.H.	White
12 $\frac{1}{2}$ "	743528	Chrome	15° R.H.	Blue
12 $\frac{1}{2}$ "	743529	Chrome	15° L.H.	Blue
12 $\frac{1}{2}$ "	745652	Chrome	15° R.H.	White
12 $\frac{1}{2}$ "	745653	Chrome	15° L.H.	White
12 $\frac{1}{2}$ "	54711450	Chrome	10° R.H.	Red
12 $\frac{1}{2}$ "	54711451	Chrome	10° L.H.	Red
12 $\frac{1}{2}$ "	54711563	Chrome	10° R.H.	Green
12 $\frac{1}{2}$ "	54711564	Chrome	10° L.H.	Green
12 $\frac{1}{2}$ "	54711571	Chrome	10° R.H.	Blue
12 $\frac{1}{2}$ "	54711572	Chrome	10° L.H.	Blue

### LOCK BACK TYPES

#### CRANKED – Wrist Action Type Blade Attachment

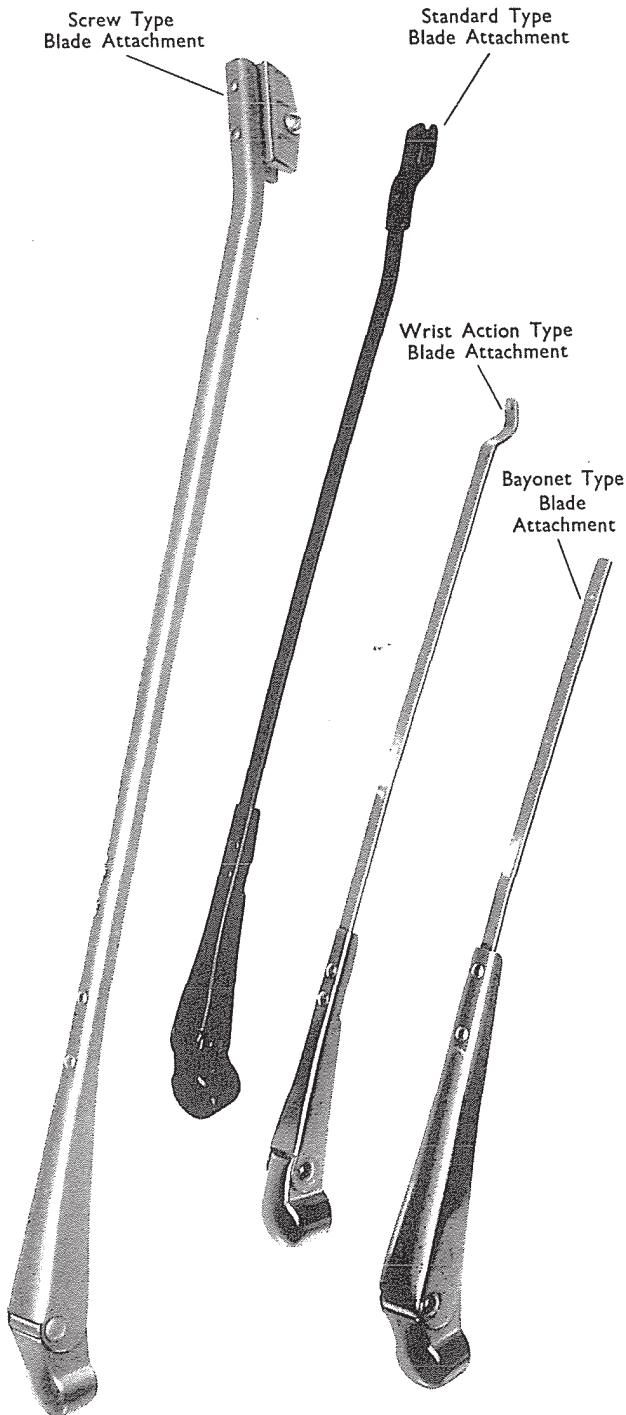
Length	Part No.	Finish	Crank
8"	745089	Chrome	15° R.H.
8 $\frac{1}{2}$ "	745076	Chrome	15° L.H.
8 $\frac{1}{2}$ "	745077	Chrome	15° R.H.
9"	745075	Chrome	15° R.H.
9"	745084	Chrome	15° L.H.
9 $\frac{1}{2}$ "	745073	Chrome	10° R.H.
9 $\frac{1}{2}$ "	745074	Chrome	10° L.H.
9 $\frac{1}{2}$ "	745082	Chrome	15° R.H.
9 $\frac{1}{2}$ "	745083	Chrome	15° L.H.
10"	745080	Chrome	10° R.H.
10"	745081	Chrome	10° L.H.
10"	745085	Chrome	15° R.H.
10"	745086	Chrome	15° L.H.
10 $\frac{1}{2}$ "	745071	Chrome	10° R.H.
10 $\frac{1}{2}$ "	745072	Chrome	10° L.H.
10 $\frac{1}{2}$ "	745384	Chrome	30° R.H.
10 $\frac{1}{2}$ "	745385	Chrome	30° L.H.

continued

# WINDSHIELD WIPER ARMS



## SPLINE FIXING



SPLINE FIXING ARMS

## COIL SPRING TYPES

### CRANKED – Screw Type Blade Attachment

Length	Part No.	Finish	Crank	Colour Code
14"	54712110	Silver grey	20° R.H.	Red
14"	54712111	Silver grey	20° L.H.	Red

### STRAIGHT – Wrist Action Type Blade Attachment

Length	Part No.	Finish	Colour Code
8"	741813	Chrome	Red
11½"	54712081	Chrome	Green

### STRAIGHT – Bayonet Type Blade Attachment

Length	Part No.	Finish	Colour Code
8¾"	54711529	Chrome	Blue
11½"	54711202	Chrome	Red
12"	†54710542	Chrome	Blue
12"	54712050	Chrome	Blue
13½"	54711201	Chrome	White
14"	54712051	Silver grey	Blue

## LOCK BACK TYPES

### CRANKED – Standard Type Blade Attachment

Length	Part No.	Finish	Crank
10½"	745380	Black	10° R.H.
10½"	745381	Black	10° L.H.
10½"	745382	Black	30° R.H.
10½"	745383	Black	30° L.H.

### STRAIGHT – Wrist Action Type Blade Attachment

Length	Part No.	Finish	Special Features
8"	741488	Chrome	—
8½"	741485	Chrome	—
9"	741489	Chrome	—
9½"	741487	Chrome	—
10"	741450	Chrome	With roller
10½"	741486	Chrome	—

† Complete with bracket and nylon peg

continued



# WINDSHIELD WIPER ARMS

## UNIVERSAL REPLACEMENT ARMS

Designed to replace wiper arms on most British and American cars and trucks

The new range provides suitable replacements for arms between 7½" and 13½" in length and of varying designs for blade and spindle fixing. All arms can be adjusted to suit any degree of crank.

### UNIVERSAL ARMS

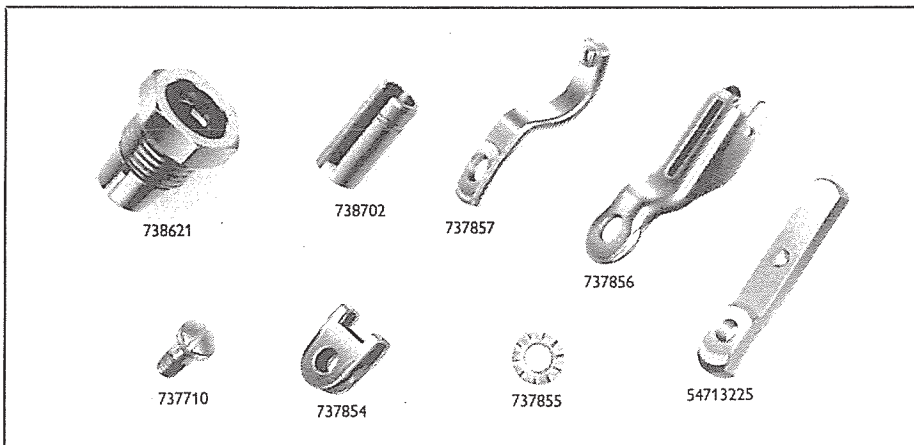
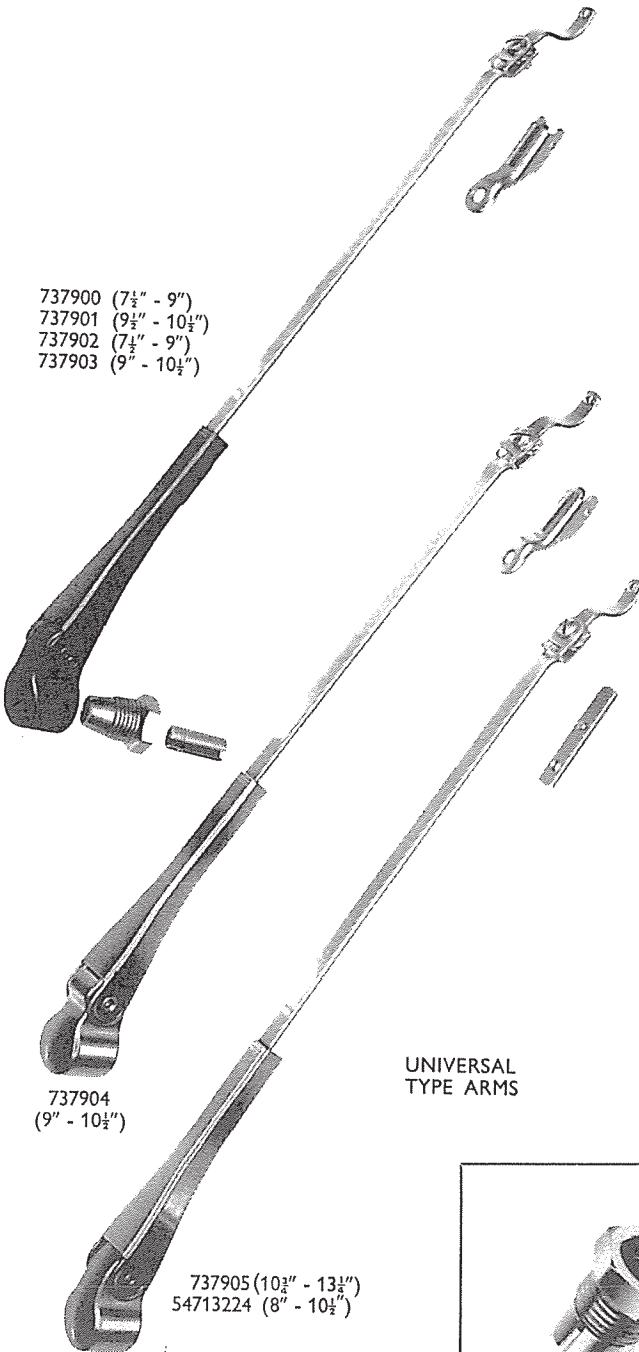
Length	Part No.	Finish	Spindle Size	Special Features
7½" - 9"	737900	Black	¼" or ⅜"	—
7½" - 9"	737902	Chrome	¼" or ⅜"	Lock back
9" - 10½"	737903	Chrome	¼" or ⅜"	Lock back
9" - 10½"	737904	Chrome	Splined	Lock back
9" - 10½"	737901	Black	¼" or ⅜"	—
10½" - 13½"	737905	Chrome	Splined	Coil spring
8" - 10½"	54713224	Chrome	Splined	Coil spring

### COLLET FIXING DETAILS

	737900	737901	737902	737903
Collet .. ..	738621	738621	738621	738621
Sleeve .. ..	738702	738702	738702	738702
Attachment (Wrist action)	737857	737857	737857	737857
(Standard) ..	737856	737856	737856	737856
Screw .. ..	737710	737710	737710	737710
Plate .. ..	737854	737854	737854	737854
Washer .. ..	737855	737855	737855	737855

### SPLINE FIXING DETAILS

	737904	737905	54713224
Attachment (Wrist action) ..	737857	737857	737857
(Standard) .. ..	737856	—	—
(Bayonet) .. ..	—	54713225	54713225
Screw .. ..	737710	737710	737710
Plate .. ..	737854	737854	737854
Washer .. ..	737855	737855	737855



continued

# WINDSHIELD WIPER ARMS



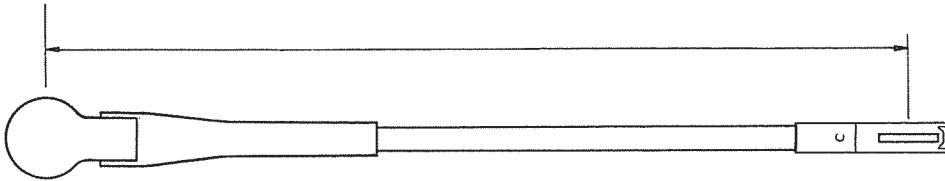
## UNIVERSAL REPLACEMENT ARMS

Part No.	Universal Replacement	Part No.	Universal Replacement	Part No.	Universal Replacement
735052	737902	742150	737902	54710005	737905
735054	737900	742151	737902	54710006	737905
735060	737900	742152	737903	54710008	737905
735064	737901	742153	737903	54710009	737905
735072	737901	742154	737903	54710542	737905
735156	737901	742155	737903	54711202	737905
736423	737902	742160	737902	54711212	737905
736430	737903	742270	737903	54711431	737905
737444	737900	742271	737903	54711432	737905
737445	737900	742272	737902	54711434	737905
737495	737901	742273	737902	54711450	737905
737496	737901	742274	737903	54711451	737905
737575	737902	742275	737903	54711525	54713224
737622	737902	742276	737902	54711526	54713224
737639	737901	742277	737902	54711529	54713224
737640	737901	742280	737903	54711532	737905
737696	737900	742281	737903	54711533	737905
737762	737901	742282	737903	54711534	737905
737763	737901	742290	737902	54711535	737905
737780	737901	742291	737902	54711536	737905
737806	737901	742293	737903	54711537	737905
737830	737901	742296	737902	54711538	737905
737831	737901	742297	737902	54711539	737905
737839	737902	742298	737903	54711544	737905
741240	737903	742312	737902	54711545	737905
741241	737903	742313	737903	54711552	737905
741246	737903	742349	737903	54711553	737905
741247	737903	743523	737905	54711555	737905
741483	737903	743527	737905	54711556	737905
741485	737902	743528	737905	54711557	54713224
741486	737903	743529	737905	54711558	54713224
741487	737903	744140	737905	54711561	737905
741488	737902	745071	737904	54711562	737905
741489	737902	745072	737904	54711563	737905
741810	737905	745073	737904	54711564	737905
741813	54713224	745074	737904	54711565	54713224
741832	737902	745075	737904	54711566	54713224
741833	737902	745080	737904	54711567	54713224
741836	737905	745081	737904	54711568	54713224
741837	737905	745082	737904	54711569	54713224
741838	737905	745083	737904	54711570	54713224
741839	737905	745084	737904	54711571	737905
741847	54713224	745085	737904	54711572	737905
741848	737905	745086	737904	54711573	737905
742142	737902	745089	54713224	54711574	737905
742143	737902	745384	737904	54712027	737905
742144	737902	745385	737904	54712030	737905
742145	737902	745651	54713224	54712031	737905
742148	737903	745652	737905	54712050	737905
742149	737903	745653	737905	54712081	737905

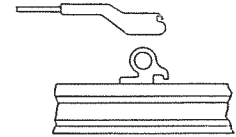


# WINDSHIELD WIPER ARMS

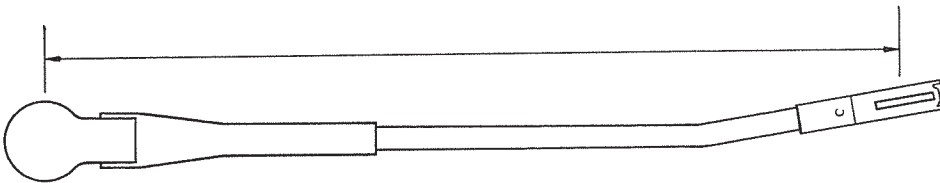
## MEASURING LUCAS WIPER ARMS



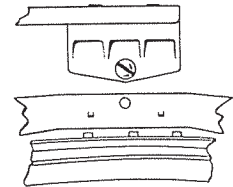
Lucas Adjustable Arms should be measured from centre of head to centre of clip or hook and dimensions given for fully closed and fully extended.



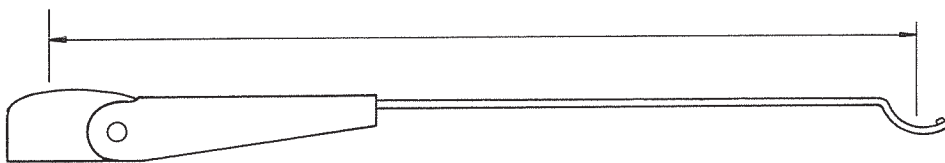
**STANDARD FIXING**



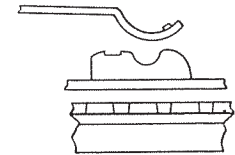
Lucas fixed length arms, straight or cranked, are measured from centre of head to centre of clip or hook.



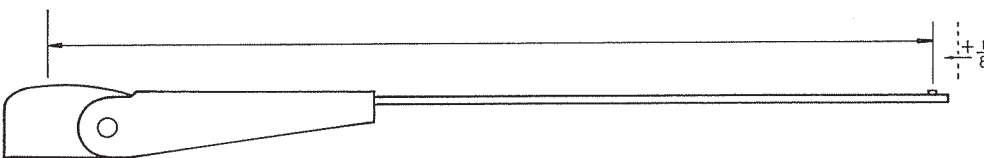
**SCREW FIXING**



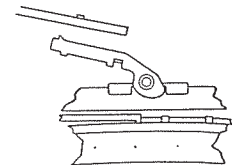
Wrist Action type arms should be measured to centre of hook as illustrated.



**WRIST ACTION**



Flat ended bayonet type arms should be measured to centre of pip, and then add  $\frac{1}{8}$ " to arrive at catalogued length.



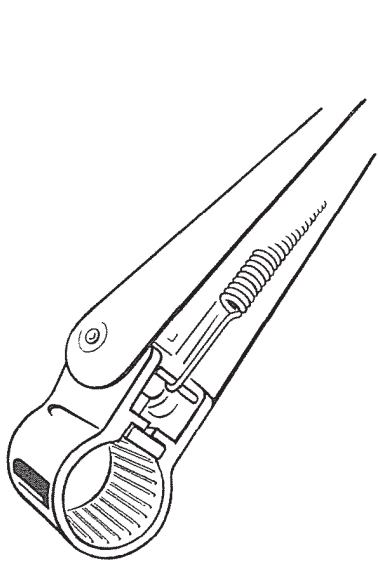
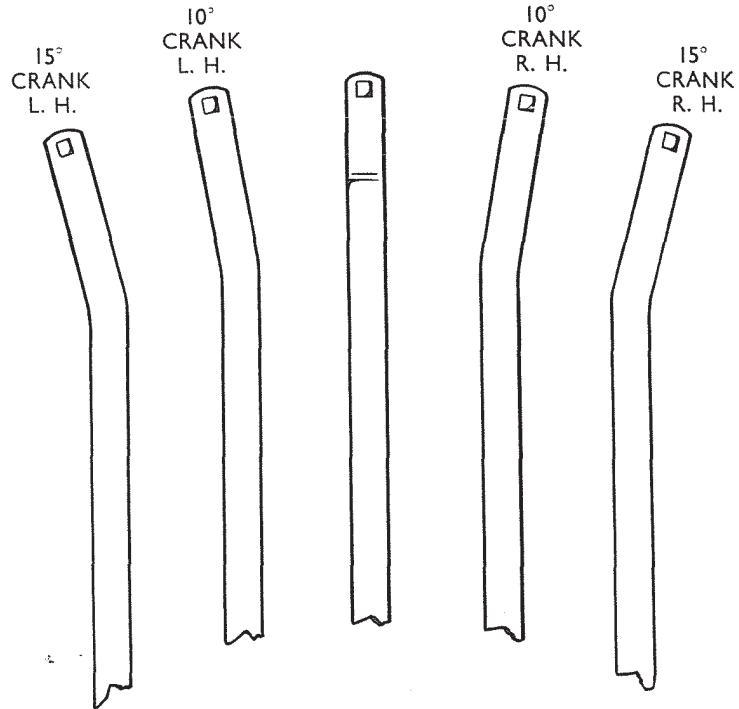
**BAYONET FIXING**

# WINDSHIELD WIPER ARMS

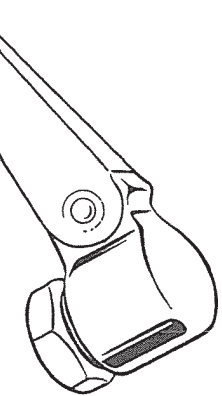
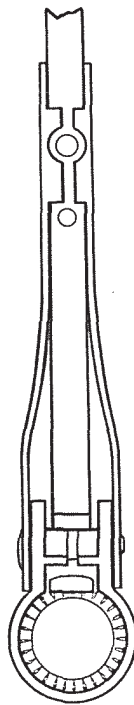


## ANGLE OF CRANK

To determine the angle of crank, Wiper Arm should be placed in the appropriate position below.



**SPLINE FIXING**  
COIL SPRING NON-LOCK BACK



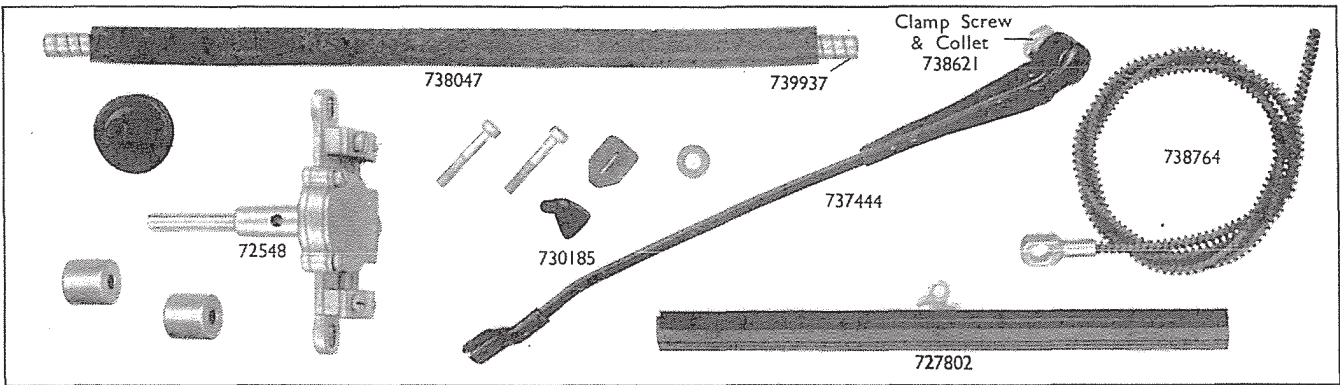
**COLLET FIXING**

The expression "LEFT HAND" and "RIGHT HAND" is as viewed from the driver's seat.



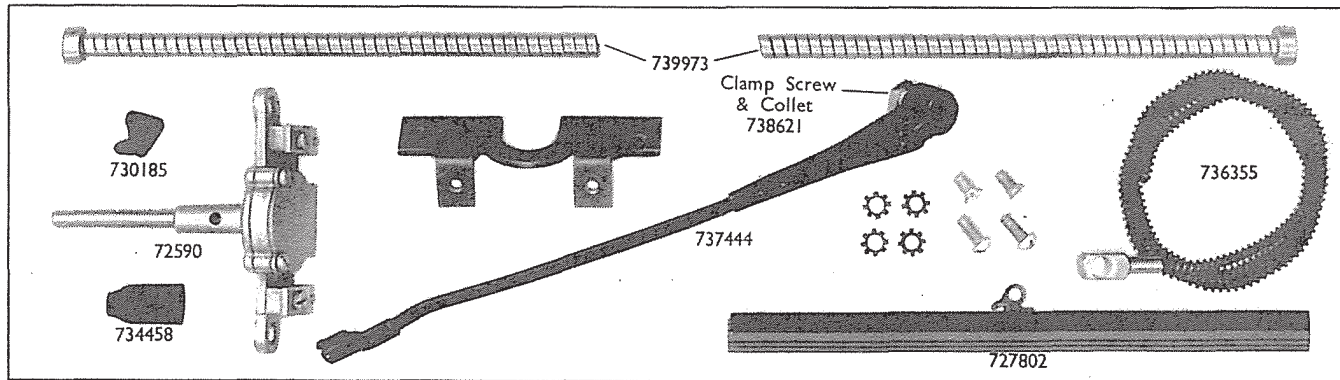
# DUAL ARM ATTACHMENT SETS

for converting from single to dual wipe



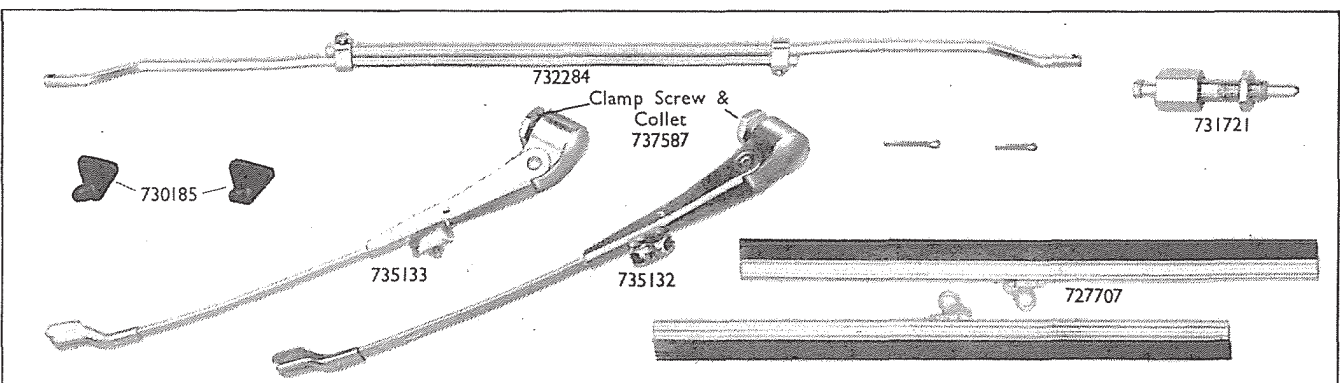
**Part No. 072659 Model CR4.** Suitable for Austin A40 1948. Set comprises:

1 Wheelbox .. .. .	†72548 (72662)	1 Arm .. .. .	737444
1 Cable rack .. .. .	738764	1 Blade .. .. .	727802
1 Casing, outer .. .. .	739937	1 Stop .. .. .	730185
1 Tube, rubber .. .. .	738047	1 Liner .. .. .	734182



**Part No. 072662 Model CR4.** Suitable for Morris 'Minor' 1949-50. Set comprises:

1 Wheelbox .. .. .	72590	1 Arm .. .. .	737444
1 Cable rack .. .. .	†736355 (738764)	1 Blade .. .. .	727802
1 Casing, outer .. .. .	739973	1 Stop .. .. .	730185
		1 Grommet .. .. .	734458



**Part No. 732479 Models CW and DW.** Suitable for all vehicles fitting CW or DW windshield wiper. Includes a 14"-20" adjustable bar. Set comprises:

1 Arm, right hand .. .. .	735132	2 Blades .. .. .	727707
1 Arm, left hand .. .. .	735133	2 Stops, rubber .. .. .	730185
1 Coupling bar assembly .. .. .	732284	1 Bearing, passenger side .. .. .	731721
2 Cotter pins .. .. .	186711		

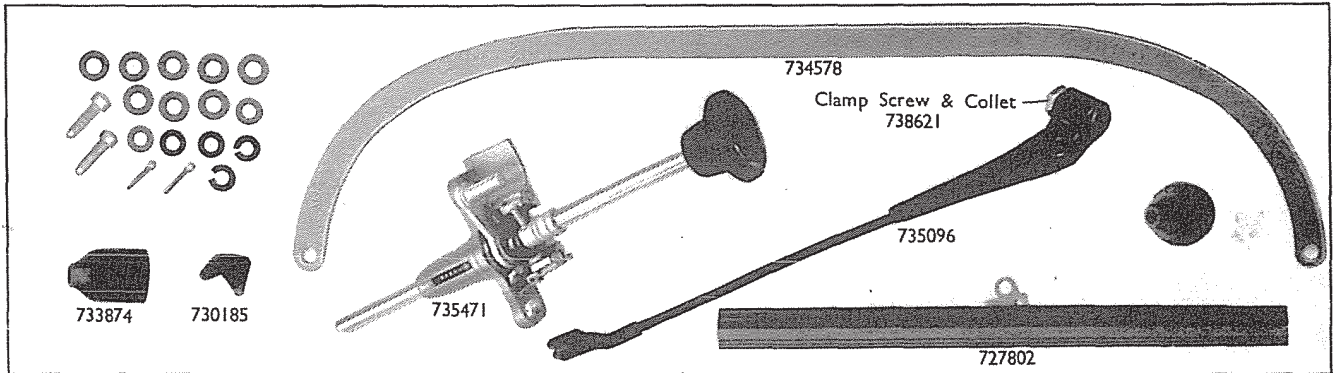
† When ordering, quote part number shown in brackets

continued



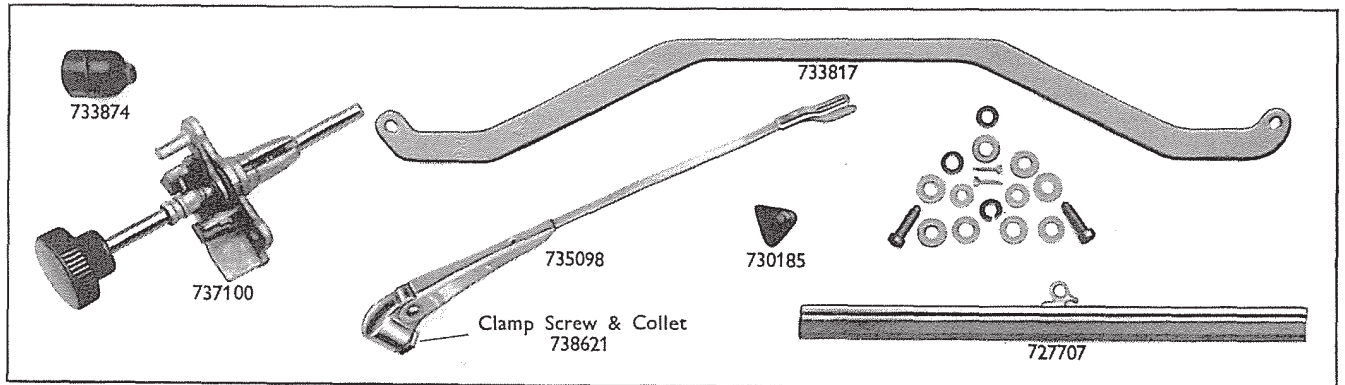
# DUAL ARM ATTACHMENT SETS

for converting from single to dual wipe



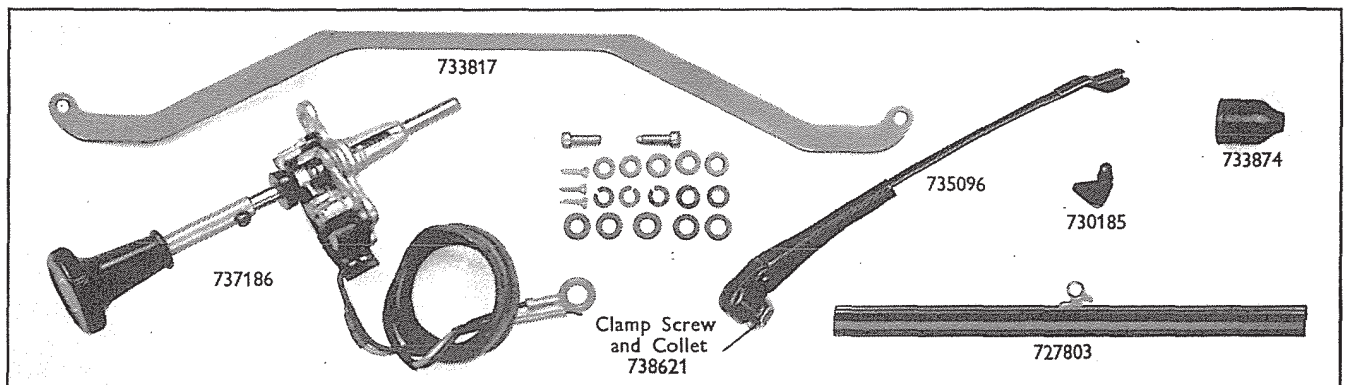
Part No. 734710 Model SW4. Suitable for Morris 8 1939-47. Set comprises:

1 Arm .. .. .	†735096 (737900)	1 Grommet .. .. .	733874
1 Blade .. .. .	727802	1 Link .. .. .	734578
1 Stop, rubber .. .. .	730185	1 Clutch housing .. .. .	735471



Part No. 734725 Model SW4. Suitable for Hillman 'Minx' 1939-46. Set comprises:

1 Clutch housing .. .. .	†737100 (737357)	1 Arm .. .. .	†735098 (737902)
1 Main link .. .. .	733817	1 Blade .. .. .	727707
1 Grommet .. .. .	733874	1 Stop .. .. .	730185



Part No. 734726 Model SW4. Suitable for Austin 10 and 12 Vans 1939 and Standard 8 1939-46. Set comprises:

1 Arm .. .. .	†735096 (737900)	1 Grommet .. .. .	733874
1 Blade .. .. .	727803	1 Clutch housing .. .. .	737186
1 Stop, rubber .. .. .	730185	1 Main link .. .. .	733817

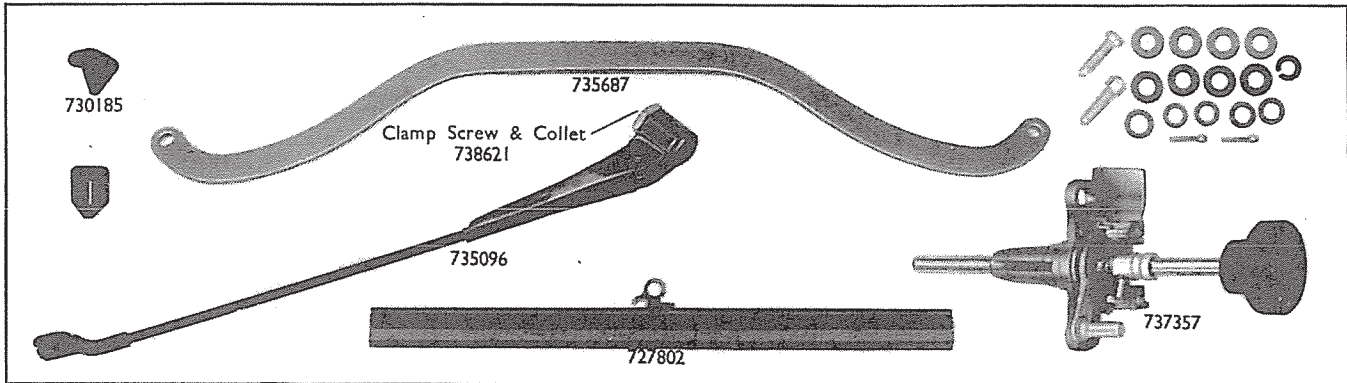
† When ordering, quote part number shown in brackets

continued



# DUAL ARM ATTACHMENT SETS

for converting from single to dual wipe



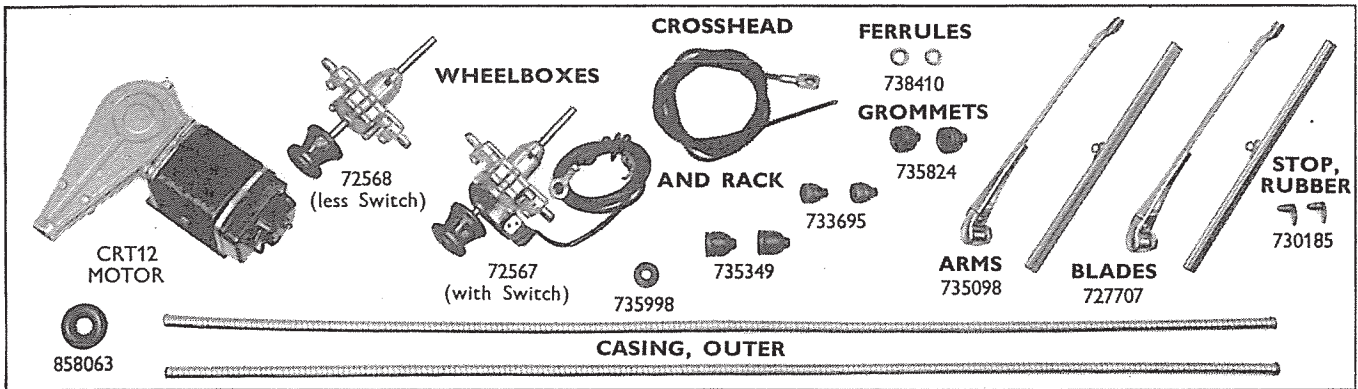
Part No. 737340 Model SW4. Suitable for Austin 8 1945-46. Set comprises:

1 Clutch housing .. .. .	737357	1 Blade .. .. .	727802
1 Main link .. .. .	735687	1 Stop .. .. .	730185
1 Arm .. .. .	†735096 (737900)	1 Liner .. .. .	734182

## CONVERSION SETS (Windshield Wiper)

The following complete sets of windshield wiper equipment are available for cases where it is desired to replace either the older SW type of wiper or the suction type.

(For fitting instructions, see Instruction Booklet 847A issued by Advertising Dept., Joseph Lucas Ltd., Great King St., Birmingham 19).



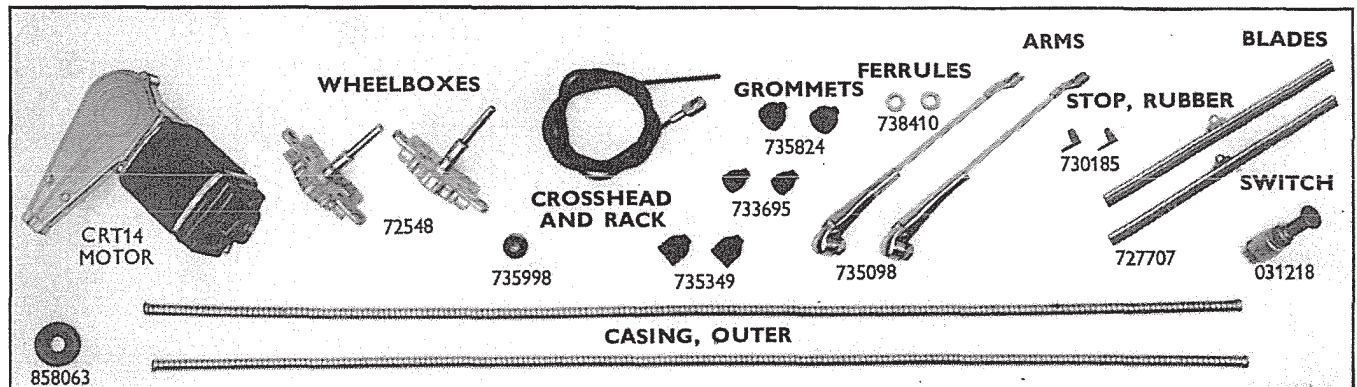
Part No. 072840 Model CRT12. 12 volt; 120° angle of wipe; 2-stud motor fixing. Set comprises:

1 Motor .. .. .	75144	2 Grommets .. .. .	733695
1 Wheelbox, with switch .. .. .	72567	1 Grommet .. .. .	735998
1 Wheelbox, less switch .. .. .	72568	2 Grommets .. .. .	735349
1 Crosshead and rack .. .. .	738223	1 Grommet .. .. .	858063
2 Casings, outer .. .. .	739972	2 Arms .. .. .	†735098 (737902)
2 Ferrules .. .. .	738410	2 Blades .. .. .	727707
2 Grommets .. .. .	735824	2 Stops, rubber .. .. .	730185

† When ordering, quote part number shown in brackets

continued

# CONVERSION SETS (Windshield Wiper)



**Part No. 072841 Model CRT14.** 12 volt; 140° angle of wipe; 2-stud motor fixing. Set comprises:

1 Motor .. .. .	75145	2 Grommets .. .. .	735349
2 Wheelboxes .. .. .	†72548 (72662)	1 Grommet .. .. .	735998
1 Crosshead and rack .. .. .	738223	1 Grommet .. .. .	858063
2 Casings, outer * .. .. .	739972	2 Arms .. .. .	†735098 (737902)
2 Ferrules .. .. .	738410	2 Blades .. .. .	727707
2 Grommets .. .. .	735824	2 Stops, rubber .. .. .	730185
2 Grommets .. .. .	733695	1 Switch .. .. .	031218

**Part No. 072896 Model CRT14.** 12 volt; 140° angle of wipe; 2-stud motor fixing; as 072841, but less arm and blade.

**Part No. 072842 Model CRT14.** 6 volt; 140° angle of wipe; 3-stud motor fixing. Set comprises:

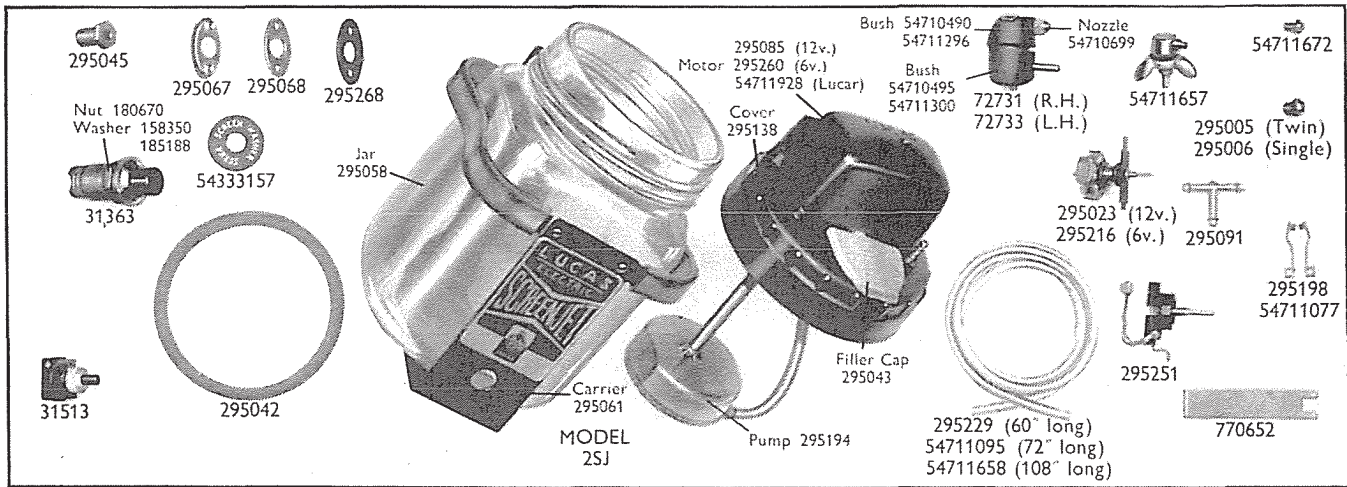
1 Motor .. .. .	75149	2 Grommets .. .. .	735349
2 Wheelboxes .. .. .	†72548 (72662)	1 Grommet .. .. .	735998
1 Crosshead and rack .. .. .	738223	1 Grommet .. .. .	858063
2 Casings, outer .. .. .	739972	2 Arms .. .. .	†735098 (737902)
2 Ferrules .. .. .	738410	2 Blades .. .. .	727707
2 Grommets .. .. .	735824	2 Stops, rubber .. .. .	730185
2 Grommets .. .. .	733695	1 Switch .. .. .	031218

**Part No. 072853 Model CRT14.** 6 volt; 140° angle of wipe; 3-stud motor fixing; as 072842, but less arm and blade.

† When ordering, quote part number shown in brackets



# SCREENJETS (Model 2SJ)



Complete assembly Part No. . . . .	077006	077014	077018	077020	077021	077025
Voltage . . . . .	12	6	12	6	12	12
Nozzle arrangement . . . . .	Twin	Twin	—	Single	Single	—
Comprising:						
Motor, pump, jar and bracket . . . . .	077011	‡077015	077011	‡077015	077011	077011
Accessories, set . . . . .	‡54711656	‡295118	‡295312	‡295330	‡295330	‡54710716

## DETAILED SPARE PARTS

Motor, pump, jar and bracket . . . . .	077011	‡077015	077026
Voltage . . . . .	12	6	12
§ Motor and coupling . . . . .	295085	295260	54711928
Switch contact and adjusting screw . . . . .	295251	295251	295251
§ Brush set . . . . .	54711077	295198	54711077
§ Armature . . . . .	295023	295216	295023
§ Cover, moulding . . . . .	295138	295138	295138
§ Cap, filler, rubber . . . . .	295043	295043	295043
§ Gasket, cover, rubber . . . . .	295042	295042	295042
§ Union, motor to pump fixing . . . . .	295045	295045	295045
§ Pump . . . . .	295194	295194	295194
Jar, glass . . . . .	295058	295058	295058
Carrier, jar . . . . .	295061	295061	295061
§ Sundry parts, set . . . . .	295196	295196	295196

## NOZZLE ASSEMBLY

Part No. . . . .	72731 (Right hand)	72733 (Left hand)
Nut, fixing . . . . .	166014	166014
Washer, fixing nut . . . . .	131023	131023
Bush, rear . . . . .	54710485	54711300
Bush, front . . . . .	54710490	54711296
Nozzle . . . . .	54710699	54710699
Stud, fixing . . . . .	54710493	54710493

Accessories, sets . . . . .	‡295118	‡295230 ‡295330	‡295270	‡295312	‡54710716	‡54711656	‡54711671	‡54711945
	Twin jet	Single jet	Twin jet	Less jets	Less jets	Twin jet	Single jet	Single jet
§ Nozzle assembly . . . . .	295110	‡295112	295110	¶	¶	295110	—	—
Nozzle . . . . .	295005	295006	295005	—	—	295005	54711657	54711672
Plate, clamp, upper . . . . .	295067	295067	295067	—	—	295067	—	—
Plate, clamp, lower . . . . .	295068	295068	295068	—	—	295068	—	—
Gasket, rubber, clamp plate . . . . .	295268	295268	295268	—	—	295268	—	—
Washer, rubber, nozzle . . . . .	295098	295098	295098	—	—	295098	—	—
Spanner . . . . .	770652	770652	770652	—	—	770652	—	—
Screw, fixing . . . . .	186147	186147	186147	—	—	186147	—	—
§ Switch . . . . .	31513	31513	—	31513	31363	31513	—	31513
Nut, fixing . . . . .	—	—	—	—	180670	—	—	—
Washer, fixing nut . . . . .	—	—	—	—	158350	—	—	—
Washer, spring . . . . .	—	—	—	—	185188	—	—	—
§ Screw, terminal . . . . .	—	—	—	—	120584	—	—	—
Tee-piece . . . . .	—	295091	—	295091	295091	—	295091	295091
Tubing . . . . .	295229	295229	295229	54711095	295229	54711095	54711658	295229
Screw, jar bracket . . . . .	198865	198865	198865	198865	198865	198865	—	—
Escutcheon plate . . . . .	—	—	—	—	—	—	—	54333157

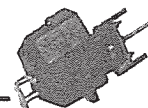
¶ For reference only; parts to be ordered individually as required.

§ Recommended spares for stock

‡ This assembly may be supplied to convert a twin (two-nozzle) jet to two single (one-nozzle) jets.

¶ On Humber cars the nozzles are fitted to the wheelboxes. The 1959-60 model has special nozzles, details of which are given above.

# WINDSHIELD WIPERS (Motors)



## VEHICLE APPLICATION REFERENCE

75051 CW1. 12v.  
A.F.N. 'Le Mans' 1951-54.  
Lea Francis 1½ litre Sports 1949.  
M.G. 1½ litre Tourer 1949-51; 'Midget' 1946-53.

75065 SW4. 6v.  
Austin 8 1946-47.  
Morris 8 1946-48.  
Standard 8 1946-48.  
Wolseley 8 1946-48.

75066 SW4. 12v.  
Austin 10 Van and 12 1946-47; 16 1946-48.  
Citroen 15 1946-48.  
Hillman 'Minx' All Models 1946-47.  
Daimler 2½ litre 1946-53.  
Humber 'Hawk' 1946-48; 'Imperial', 'Pullman' and 'Snipe' 1946; 'Super Snipe' 1946-47.  
Jaguar 1½ litre 1946-48.  
Lanchester LD10 1946-51.  
Lea Francis 14 1946-50.  
Morgan 'Plus Four' 1946-50; 'Four Four' Coupé (Standard engine) 1949-50.  
Morris 10 1946-48.

75073 CW1. 6v.  
Jowett De Luxe Van and 6 Light Utility 1949-50; 'Bradford' Van 1946-50.  
Renault 12 Car 1946-51.

75081 CWH. 6v.  
Austin 8 Van 1946-47.

75089 CW1. 12v.  
Morris Commercial CV Ambulance 1949-51.

75091 CW1. 12v.  
Dodge Petrol Models (special orders) 1949-58; Diesel (P4 and P6, 12 volt) 1951-58.

75096 CW1. 12v.  
Rover 'Landrover' 1948-53.

75097 CW1. 12v.  
Austin 10 cwt. 101 Van 1958-60.  
Morris Commercial 10 cwt. 'J' Van 1949-57; 'JB' Van 1958-60.

75113 FW2. 12v.  
Austin 3, 4 and 5 ton Normal Control 1960; Coach Series III Normal Control 1957-60.  
Morris Commercial 3 ton 3KNC (G.P.O.) 1956-59.  
Rover 'Landrover' 1957-60.

75122 CW1. 12v.  
Reliant 'Regent' 1951-56.

75128 CW1. 12v.  
Jowett 10 cwt. 'Bradford' Van 1951-52.

75129. CW1. 12v.  
Commer 15/25 cwt. 1946-48; 25 cwt. 'Superpoise' Van 1949-56; Medium Pick-up Truck Mk. IV 1951-54; 2 and 3 ton 1946-47; 2/3 and 3/4 ton 1949-54; 4/5 ton 1949-51; 5 ton 'Superpoise' 1952-54; 'Commando' (Petrol) 1950-53; 2/5 ton (Petrol) and 3/5 ton (Diesel) 'Superpoise' 1955; 3 ton four-wheel drive Cross Country Vehicle (Export only) 1956; 3 and 4 ton Trucks, Pan-technicon, Tipper and 'Commando' 1947-49; 5 ton 'Superpoise' (Diesel) 1952-54; 5 ton 1947; 8 ton Tractor 1950.  
Jowett De Luxe Van and 6 Light Utility 1951-52.  
Smiths Delivery Vehicles 2 ton (Diesel) 1953-55.

75130 CW1. 12v.  
Austin 2 and 3 ton 1946-48; 2 and 5 ton Trucks 1949-55; 3 ton Series II 1955; Coach 1947-55; 2/5 ton Petrol Tanker 1946-55; 3/4 and 3/5 ton Petrol Tankers Series III 1957-60.

75138 CW1. 12v.  
Morris Commercial 25/30 cwt. LC 1951-52.

75143 CRT14. 12v.  
A.F.N. 'Mille Miglia' 1951.  
Bristol '401' 1950-53; '403' 1954.  
Healey 'Silverstone' 1950.  
Jaguar XK120 1950-54.  
Morris 'Cowley' Van and Pick-up Truck 1950-53; 'Oxford', 'Traveller' and 'Six' Saloon 1948-54; Quarter Ton Van (G.P.O.) 1954-59; Half Ton Van and Pick-up Truck 1954-56.  
Wolseley 'Four Fifty' 1949-53; 'Six Eighty' 1949-54.

75144 CRT12. 12v.  
A.C. Cars 'Ace' and 'Aceca' 1955-56.  
Austin-Healey '100' and '100M' 1955.  
Commer 25 cwt. Forward Control Van 1954-56; 1½/1½ ton Forward Control Mk. IV 1956-60; 1 ton Forward Control 1959-60; 5 and 7 ton Forward Control 1952-54; 5 and 7 ton Forward Control (Petrol and Rootes TS3 Diesel) 1955-58; 'Avenger' Coach (Petrol, 12 volt) 1952-54; Fire Tender and Pump Chassis 1952-58.  
Daimler 27 1946-53; 36 1950-52.  
Jaguar XK-SS Open 2-seater (U.S.A. only) 1946-47.  
Jensen 4 litre 'Interceptor' 1950.  
Karrier 'Bantam' 1953-60; 'Gamecock' 1953-58; 1½/1½ ton Passenger Chassis 1957-60.  
M.G. 1½ litre Saloon 1947-51; 1½ litre Tourer 1952-53; 'Midget' 1954-55.  
Morgan 'Plus Four' 1951-54.  
Morris 'Oxford' Taxi and Hire Car 1947-51.  
Standard 'Vanguard' 1948-51.

75145 CR14. 12v.  
Austin A40 1948-56; A70 1948-50; A90 1952; 'Metropolitan' 1957-60; LD1A, LD2A, LDO1A and LDO2A 1956-60; LCFO 1958; 301FC 1959.  
Healey 'Sportsmobile' 1949.  
Morris Commercial LD1 and LD2 1954; LDO 1956; LDO1 and LDO2 1957-60; LCFO 1958-60.  
Nash 'Metropolitan' Series I-IV 1954-60.  
Singer 'SM1500' 1949-54; 'Hunter' 1955-56; 'Hunter S' 1956.  
Triumph 'Mayflower' 1950-53.

75146 CR14. 12v.  
Austin LD1A and LD2A 1955; '301' Range (except 301FC) 1957-60.  
Morris Commercial LC4, LC5, LCO and LCO5 1953-60; LD1 and LD2 1955; LC4, LC5, and LCO5X (G.P.O. Models) 1953-55; Engineers Cab 1957-59; NV and NV12/3 1954-55; NVO, NVO12/3 and NVO11/5 1951-55; NVS 1951-54; NVS12/3 and NVS13/5 1955; 10 cwt. 'J' Van (G.P.O.) 1951-57; 'JB' Van 1958-60.  
Standard 'Vanguard' 1952-57.

75148 CRT. 12v.  
Allard 16 Sports 1949; 'J', 'J2' and 'J2X' Models 1952-54; 'J2R' 1956; 'K' and 'L' 1951; 'M' 1949-51; 'P' 1949-50.  
Armstrong Siddeley 'Hurricane' and 'Lancaster' 1948-53; 'Typhoon' 1948-50; Utility 1950-52; 'Whitley' 1950-53; Limousine 1951-52.

Aston Martin DB2 1951-52.  
Austin A90 'Atlantic' 1949-51.  
Jaguar 2½ and 3½ litre Mk. V 1949.  
Lea Francis 18 4 Light Saloon 1951-52; 14 and 18 6 Light Saloon and 2½ litre Sports 1952-54.

75150 CRT14. 12v.  
Alvis 14 1946-50.  
Austin A35 1957-58; A30 1952-56; A40 (later) 1952-54; A70 1951-55; Austin-Healey '100' and '100M' 1954; Taxi and Hire Car 1948-56.  
Commer 8 cwt. Van 1948-52; Estate Car 1949; 'Express' Delivery Van and Pick-up Truck 1953-54; 5 and 7 ton Van 1949-51; 6½ and 7 ton 1949-50.  
Daimler 36 1946-50.  
Hillman 'Minx' All Models 1948-56.  
Humber 'Hawk' 1949-52.  
Morgan 'Plus Four' 1954-60; 'Four Four' Series II (Ford engine) 1956-60.  
Standard 'Eight' and 'Ten' Saloons 1954-56.  
Swallow Coachbuilding 'Doretta' 1954-55.  
Triumph 2-seater Sports 1954; TR2 1955-56.

75151 CRT14. 12v.  
Austin A125 1950-54; Ambulance and Hearse 1951-53.  
Bristol '401' 1949.  
Jaguar 3½ litre Mk. V 1951-52; XK120 1949.  
Jowett 'Jupiter' Sports 1952-54.  
Meynell (see also Paramount) 'Cub' Mk. I, 'Vixen' and 'Flying Fox' 1952.  
Morris 'Minor' 1948-56; Quarter Ton Van and Pick-up Truck 1954-56.  
Paramount Cars (see also Meynell) Roadster and Coupé 1951-54.

75152 CRT14. 12v.  
A.C. Cars 16 1948-51.  
Allard 16 1947-48; 'J', 'J2', 'J2X' and 'P' Models 1951; 'K3' 1954-55; '21C' and '21Z' 1953-55.  
Alvis TA21 1951-52; TC21 and TC21/100 1954-55.  
Armstrong Siddeley 'Hurricane' and 'Lancaster' 1946-47.  
Austin A125 1948-49; A135 1948-50.  
Citroen 15 and 23 1949-55.  
Daimler 3 litre 'Regency' 1953; DC27 Ambulance 1949-54.  
Humber 'Imperial' and 'Pullman' 1947-54; 'Super Snipe' 1948-52.  
Jaguar 2½ litre 1950-51; 3½ litre Mk. V 1949.  
Jensen 4 litre 'Interceptor' 1951-55.  
Jowett 'Javelin' and 'Javelin' De Luxe 1948-54.  
Lanchester 14 1952-53.  
Rover '60' and '75' 1948-49.  
Sunbeam 'Alpine' 1953-54.  
Sunbeam-Talbot '80' 1948-50; '90' 1948-54.

75153 CRT14. 12v.  
A.C. Cars 16 1951-57.  
Alvis 3 litre TB21 Sports 1952.  
Bentley 4½ litre Mk. IV 1946-51.  
Daimler 2½ litre Models 1950-53.  
Jowett 'Jupiter' Sports 1951.  
Nash-Healey Sports 1951-54.  
Riley 1½ litre 1950-55; 2½ litre 1950-53.  
Rolls-Royce 'Silver Wraith' 1946-55; 'Silver Dawn' 1953-55.

75158 CRT14. 12v.  
Allard 'J', 'J2' and 'J2X' Models (later) 1953; 'P2' 1952-54.  
A.F.N. 'Mille Miglia' 1952-54.  
Austin A135 1951-53.  
Frazer Nash 'Mille Miglia', 'Targa Florio' and 'Sebring' Hard Top 1955.  
Healey 'Abbott' Drophead and 'Tickford' 1951-54.  
Lea Francis 14, 2½ litre Sports and 18 4 Light Saloon 1952-54; 2½ litre Sports 1953-54.  
Rover '75' 1950-51; Station Wagon 1948-51.

75161 CRT14. 12v.  
Aston Martin 2 litre 1947-50; DB2 1953.  
Healey 16 1948-49.  
Lagonda 2½ litre 1949-52.  
Singer 'SM1500' 1949.

75165 CW1. 6v.  
Morris 8 cwt. Van 1952-53.

75167 CRT15. 6v.  
Reliant 'Regal' Car 1953.

75168 CW1. 12v.  
Austin 4 x 4 Cargo Truck (Civilian) 1954-55.

75179 CRT. 12v.  
Bristol '400' 1949-50.  
Jowett 10 cwt. 'Bradford' Van 1953-54.  
Lea Francis 14 6 Light Saloon 1949.  
Smiths Delivery Vehicles Standard Drive Models (Electric) 1953-55; 14, 20 and 30 cwt. (Electric) 1956-57.

75193 CW1. 24v.  
Commer 5 ton 'Superpoise' 1954-55.

75197 CW1. 12v.  
Rover 'Landrover' 1954-56.

75198 CW1. 12v.  
Austin 'Champ' (Civilian) 1954-56.



# WINDSHIELD WIPERS (Motors)

## VEHICLE APPLICATION REFERENCE—continued

- 75202 CW1. 24v.**  
Dodge (Perkins R6) 1954-56; (Perkins R6, Semi-forward Control) 1957-58;
- 75212 DR2. 12v.**  
Beardmore Taxi Mk. VII (Ford 'Consul' engine) 1958.  
Morris 'Cowley' 1958-59; 'Oxford' and 'Traveller' 1958-60; 'Isis' and Series II 1958; Half Ton Van and Pick-up Truck 1958-60.
- 75213 DR2. 12v.**  
Alfa Romeo '1900' 1956-58; 'Giulietta' Sports 'Veloce' 1958-59; 'Giulietta' 'Spyder Veloce' 1957-59; T10 Van 1958-60.  
Austin-Healey 'Sprite' 1959-60.  
Lancia 'Appia' and 'Flamina' Coupés 1959-60.  
Morris 'Minor 1000' Series III, 'Traveller', Quarter Ton Van and Pick-up Truck 1957.
- 75229 CRT15. 6v.**  
Reliant 'Regal' Car 1954.
- 75250 DR1. 12v.**  
Bentley 'Continental' Sports 1952-54.  
Rolls-Royce 'Silver Wraith' 1956-59.
- 75251 DR2. 12v.**  
Austin A40 1955-59; A55 'Cambridge' Mk. II 1958-60; A90 and A95 1955-59; A105 1957-59; A105 'Vanden Plas' 1958-59; 3 and 5 ton Trucks and Prime Mover Forward Control 1956; B.M.C. 7 ton Forward Control Trucks 1956.  
Morris Commercial 2/3, 4 and 5 ton Series III Trucks 1956-59.  
Reliant 'Regent Four' Van (Export only) 1959-60.
- 75289 DR2. 12v.**  
Commer 3/1½ ton 'Superpoise' Van and Medium Pick-up Truck Mk. V 1956-60; 2/5 ton 'Superpoise' (Petrol), and 3/5 ton 'Superpoise' (Diesel) 1956-60; 6 ton 'Superpoise' 1960; 4, 5, 6 and 7 ton Forward Control and Fire Tender or Pump Chassis 1959-60.  
Dodge Petrol Models Normal Control 1957-60; (Perkins R6, 12 volt) 1959-60.  
Karrier 'Gamecock' 1959-60.  
Smiths Delivery Vehicles Mobile Shop 1956-58.
- 75290 DR2. 24v.**  
Commer 5 ton 'Superpoise' 1956-60; 6 ton 'Superpoise' (Diesel, 24 volt) 1959-60.  
Dodge (Perkins R6, 24 volt) Normal Control 1957-58; (Leyland 0.350 Diesel, 24 volt) 1958-60.
- 75295 DR2. 12v.**  
Alfa Romeo 'Giulietta Spyder' 1956.  
Morris 'Minor 1000' and 'Traveller' 1958-60; 'Cowley' 1955-57; 'Oxford' and 'Traveller' 1954-57; 'Isis' 1956-57; Quarter Ton Van and Pick-up Truck 1958-60; Quarter Ton Van (G.P.O.) 1960; Half Ton Van and Pick-up Truck 1957.  
Simca 'Aronde' De Luxe, 'Oceane' and 'Plien Ciel' 1959.
- 75296 DR2. 12v.**  
Alvis 3 litre TC108G 1956-57.  
Austin A135 1957-60; DA1, DH1, DA2, DA3, DH2 and DH3 1959-60; Austin-Healey 'Sprite' 1958; Taxi and Hire Car 1957-58.  
Commer 'Express' Delivery Van and Pick-up Truck 1955-60; 'Cob' 1957-60.  
Daimler 'Conquest' ('Century') 1954-58.  
Fairthorpe Electron (optional) 1958-59; 'Atomota' 1959.  
Hillman 'Minx' All Models 1955-57; 'Minx' De Luxe Series II 1958-59; 'Minx Special' Series III 1958-60.  
Humber 'Hawk' 1953-57.  
Jensen '541' and '541R' 1954-57.  
Lanchester 'Sprite' 1955-56.  
Layton Sports Cars 'Jomar' (T.V.R.) 1959-60.  
M.G. 'Magnet' 1954-59.  
Peerless 'Gran Turismo' 1959-60.  
Riley 'Pathfinder' 1955-57; 'One-Point-Five' 1958-59.
- 75296—continued**  
Singer 'Gazelle' Series I-III 1957-59.  
Standard 'Eight', 'Ten', 'Companion' Estate Car, 6 cwt. Van and Pick-up Truck 1957-60; 'Vanguard' 1956-60; Estate Car 1957-60; Sportsman 1957-58; 'Pennant' 1958-59; 'Ensign' 1958-60.  
Triumph TR3 1957-59.  
Wolseley 'Four Forty-Four' 1953-56; 'Six Ninety' 1955-59; 'Fifteen Fifty' 1957-59.
- 75297 DR2. 12v.**  
Armstrong Siddeley ½ ton Pick-up Truck (Export only) 1957.  
Austin-Healey '100' and '100M' 1956; '100 Six' 1957-59; '3000' 1959-60.  
Elva 'Courier' (B.M.C. 1,500 c.c. engine) 1959-60.  
M.G. MGA and MGA 1600 1959-60.  
Riley 'One-Point-Five' 1958-60.  
Tornado 'Typhoon' (special Lucas kit) 1959-60.  
Wolseley 'Fifteen Hundred' 1958-60.
- 75298 DR2. 12v.**  
Austin 3, 4 and 5 ton Trucks and Prime Mover Series III 1956-59; B.M.C. 7 ton Forward Control Trucks (Diesel) (later) 1956-58; Coach Series III Forward Control 1957-60.  
Morris Commercial 7 ton Truck Series IVFF 1958.
- 75299 CRT15. 12v.**  
Morris Commercial LC5 and LCO5X (G.P.O.) 1956-59.
- 75300 DR2. 12v.**  
Austin 152 Range 1957.  
Morris Commercial 'J2' Van, Pick-up Truck and 'Minibus' 1957-58.
- 75301 DR2. 12v.**  
Austin 7 ton B.M.C. Series III Petrol Tanker 1958; 3/4 and 3/5 ton Series III Petrol Tankers 1957-60.  
Morris Commercial 2, 3, 4 and 5 ton Series III Tankers 1957-59; 7 ton Series IVFF Tanker 1958-59.
- 75305 DR3. 12v.**  
Humber New 'Hawk' 1958.
- 75308 DR3. 12v.**  
Allard 'P2' Model 1955.  
Jaguar 3½ litre Mk. VII 1952-58; 3½ litre Mk. VIII (R.H.D.) 1957-59; Mk. IX (R.H.D.) 1959-60; XK150 (L.H.D.) 1958-60.  
Jensen 4 litre 'Interceptor' 1955.
- 75309 DR3. 12v.**  
Armstrong Siddeley 'Sapphire 234' and 'Sapphire 236' 1956-58.  
Austin 'Princess' Mk. IV 1957.  
Humber 'Super Snipe' (R.H.D.) 1953-57.  
Peerless 'Gran Turismo' (special orders) 1960.  
Riley 'Pathfinder' (R.H.D.) 1945-55.  
Standard 'Vanguard' (special orders) 1958-60.  
Sunbeam 'Alpine' Special (L.H.D.) Saloon Mk. III and Coupé 1955-57.
- 75310 DR3. 12v.**  
Alvis 3 litre TD21 1958-60.  
Armstrong Siddeley 'Sapphire' and 'Star Sapphire' (R.H.D.) 1953-60.  
Bristol '406' 1958-60.  
Daimler 'Regency' and 'Regina' Sportsman 1955; 'One-O-Four' and 4½ litre Limousine 1956-60; 'Majestic' 1959-60.  
Humber New 'Hawk' Series I and IA (later) 1958-59; New 'Super Snipe' Series I and II 1959.  
Jaguar 2.4 litre (R.H.D.) 1956-60; 3.4 and 3.8 litre (R.H.D.) 1958-60.  
Rover '60' 1958-59.  
Sunbeam 'Rapier' (L.H.D.) 1956-60.
- 75311 DR3. 12v.**  
Armstrong Siddeley 'Sapphire' and 'Star Sapphire' (L.H.D.) 1953-60.  
Aston Martin DB2 1954; DB2/4 1955-57; DB Mk. IIIA and Mk. IIIB 1958-59.  
A.C. Cars 'Ace' and 'Aceca' 1957-60.  
Austin 'Princess' Mk. IV 1958-59.
- 75311—continued**  
Daimler 36 Limousine 1953; 'Empress', 'Regency' and 'Regina' Sportsman 1955; 'One-O-Four' and 4½ litre Limousine 1956-60; 'Majestic' 1959-60.  
Jaguar 2.4 litre (L.H.D.) 1956-60; 3.4 and 3.8 litre (L.H.D.) 1958-60.  
Jensen '541' and '541R' 1958-60.  
Lagonda 3 litre Saloon and Coupé 1954-58.  
Lotus 'Elite' 1959-60.  
Rover '60' 1954-57; '75' and '90' 1952-53.  
Sunbeam 'Rapier' (R.H.D.) 1956-60.
- 75313 DR3. 12v.**  
Humber 'Super Snipe' (R.H.D.) 1953-57.  
Riley 'Pathfinder' (R.H.D.) 1955.  
Sunbeam 'Alpine' Special Saloon Mk. III and Coupé (R.H.D.) 1955-57.
- 75315 DR2. 12v.**  
Austin 'Seven' (850) 1959.  
Morris 'Mini-Minor' (850) 1959.
- 75319 DR3. 12v.**  
Austin A135 1954-56.  
Jaguar Mk. VII (L.H.D.) 1957-58; Mk. VIII and Mk. IX (L.H.D.) 1957-60; XK150 (R.H.D.) 1958-60.
- 75324 FW2. 12v.**  
Smiths Delivery Vehicles 14, 20 and 30 cwt. (Electric) (later) 1957-58.
- 75325 DR3. 12v.**  
Rover '75', '90' and '105' 1958-59; '80' and '100' 1960.
- 75330 DR2. 12v.**  
Citroen DS19, ID19 and 'Safari' 1958-60.
- 75331 DR3. 12v.**  
Bentley 4½ litre Mk. VII 1952-54; 'Continental' and Model 'S' 1955-59.  
Rolls-Royce 'Silver Cloud' 1956-59.
- 75332 4W. 12v.**  
Austin A35 1958-60.
- 75335 DR3. 12v.**  
Alfa Romeo '2000' Saloon and 'Spyder' 1958-60.
- 75347 DR2. 12v.**  
Austin 152 Range 1958-60; 'J2' Range 1958-60.
- 75349 DR2. 12v.**  
Austin B.M.C. Series IVFF Trucks (R.H.D.) 1958-60.  
Morris Commercial Series IVFF Trucks (R.H.D.) 1958-60.
- 75353 DL2. 12v.**  
Austin Series IVFG Forward Control Trucks 1960.  
Morris Commercial 1½, 2, 3 and 4 ton Forward Control Trucks Series IVFG 1960.
- 75356 DR3. 12v.**  
Rover 3 litre 1959-60.
- 75357 DR3. 12v.**  
M.G. 'Magnet' Mk. III (R.H.D.) 1960.  
Morris 'Oxford' Series V (R.H.D.) 1959-60.  
Riley 'Four Sixty-Eight' (R.H.D.) 1959-60.  
Wolseley 'Fifteen Sixty' (R.H.D.) 1959-60.
- 75358 DR3. 12v.**  
M.G. 'Magnet' Mk. III (L.H.D.) 1960.  
Morris 'Oxford' Series V (L.H.D.) 1959-60.  
Riley 'Four Sixty-Eight' (L.H.D.) 1959-60.  
Wolseley 'Fifteen Sixty' (L.H.D.) 1959-60.
- 75359 DR2. 12v.**  
Standard 'Atlas' 10/12 cwt. Forward Control 1959-60.

# WINDSHIELD WIPERS (Motors)



## VEHICLE APPLICATION REFERENCE—continued

- 75361 DR3. 12v.  
Humber New 'Hawk' (R.H.D.) and New 'Super Snipe' (R.H.D.) 1959-60.
- 75363 DR2. 12v.  
Austin B.M.C. Series IVFF Trucks (L.H.D.) 1958-60.  
Morris Commercial Series IVFF Trucks (L.H.D.) 1958-60.
- 75365 DR3. 12v.  
Aston Martin DB4 (L.H.D.) 1959-60.  
Austin A99 3 litre 'Princess' 1959-60.  
Wolseley 'Six Ninety-Nine' (R.H.D.) 1959-60.
- 75366 DR3. 12v.  
Aston Martin DB4 (R.H.D.) 1959-60.  
Austin A99 1959-60; B.M.C. 3 litre 'Princess' 1960.  
Wolseley 'Six Ninety-Nine' (L.H.D.) 1959-60.
- 75367 DR2. 12v.  
Austin Taxi and Hire Car 1959-60.
- 75371 DR2. 12v.  
Daimler SP250 Sports 1960.  
Fairthorpe 'Electron' and 'Electron Minor' 1959-60; 'Zeta' 1960.  
Reliant 'Regal' Car and 5 cwt. Van 1960.  
Triumph 'Herald' 1959-60.
- 75374 DR3. 12v.  
Humber New 'Hawk' (L.H.D.) and New 'Super Snipe' (L.H.D.) (later) 1959-60.
- 75377 DR2. 12v.  
Austin B.M.C. 7 ton Series IVFF Tanker 1960.  
Morris Commercial 7 ton Series IVFF Tanker 1960.
- 75379 DR3. 12v.  
Rolls-Royce 'Silver Cloud' II and 'Phantom' V 1960.
- 75385 DR2. 12v.  
Austin 'Seven' (850) 1960.  
Morris 'Mini-minor' (850) 1960.
- 75388 DR3. 12v.  
Commer 'Cob' Series II (R.H.D.) 1960.  
Hillman 'Minx' Special and De Luxe Series IIIA (R.H.D.) 1959-60; 'Husky' Series II 1960.  
Singer 'Gazelle' Series IIIA (R.H.D.) 1959-60.
- 75389 DR3. 12v.  
Commer 'Cob' Series II (L.H.D.) 1960.  
Hillman 'Minx' De Luxe and Special Series IIIA (L.H.D.) 1959-60; 'Husky' Series II (L.H.D.) 1960.  
Singer 'Gazelle' Series IIIA (L.H.D.) 1959-60.
- 75390 DL2. 12v.  
Commer  $\frac{3}{4}$  ton Forward Control Van and Passenger Chassis 1960.
- 75392 DR3. 12v.  
Sunbeam 'Alpine' Sports (R.H.D.) 1959-60.
- 75393 DR3. 12v.  
Sunbeam 'Alpine' Sports (L.H.D.) 1959-60.
- 75398 DR2. 12v.  
Commer  $\frac{3}{4}$  ton 'Superpoise' Van and Medium Pick-up Truck Mk. V (later) 1960; 2/3, 3/5 and 6 ton (later) 1960; 4, 5, 6 and 7 ton Trucks and Fire Tender or Pump (later) 1960.  
Karrier 'Gamecock' (later) 1960.
- 75399 DR2. 24v.  
Commer 5 and 6 ton 'Superpoise' (Diesel) (later) 1960.
- 75400 DR2. 12v.  
Simca 'Aronde', 'Elysee', 'Etoile' and 'Monthery' 1960.
- 073004 FW2. 12v.  
Fairthorpe 'Electron Minor' (optional) 1958-59.  
Trojan 15/20 cwt. Van 1954-60; 25 cwt. Van, Truck and Bus (Diesel) 1959-60.
- 732480 CWX. 12v.  
A.C. Cars 'Petite' 1953-57.  
Allard 16 1947-49; 'K' and 'L' Models 1949-50.  
Austin A40 1948-51; 25 cwt. Van and Ambulance 1948-54.  
Brush Electric Battery Vehicle 1951-55.  
Clecco Electrics Battery Vehicle 1952-54.  
Commer 25 cwt. Forward Control 1946-53.  
Dellow Motors Mk. IIC and Mk. V 1955-57.  
Douglas 15/20/25 cwt. Electric Vehicles 1949; Battery Vehicle 1950-54.  
Hindle Smart Battery Vehicle 1951-54.  
H.R.G. 9 1946-52.  
Jensen 'Jen-Tug' 30 cwt. Tractor 1946-49; (later) 1952-54; Lightweight Commercial Vehicle 1954-55.
- 732480—continued  
Karrier 'Bantam' 1946-52; 'Cob' 1947-48; 3 ton CK 1946-52.  
Midland Vehicles Battery Vehicle 1951-55.  
Morgan 2-seater and 4-seater 'Plus Four' 1946-53; 'Four Four' (Standard engine) 1949-50.  
Morris Commercial 15/20 cwt. (PV) 1946-53; 25/30 cwt. Van 1949-52; CV Ambulance 1949-51; CV Range (Lorries and Tippers) 1946-51; FVO, FVSO and FVSO12/5 1949-55; FV 1949-53; FVS 1954; FVS12/5 1955; Petrol Tanker 1951-52.  
Morrison Battery Vehicle 1951-54; 1 ton D4, 25 cwt. E, 20 cwt. EH, 10 cwt. BM, 20 cwt. D1, 30 cwt. F and FL 1955-60.  
Reliant 'Regal' Car 1959.  
Singer 9 Roadster 1946-51; 1,200 c.c. 4AC and 1,500 c.c. 4AD 1952-55.  
Standard 12 and 14 (Export Holland) 1946-48.  
Sunbeam-Talbot 10 1946-47.  
Trojan 15/20 cwt. Van (Petrol) 1946-55; 15/20 cwt. Van and Truck (Diesel) 1954-55.  
Victor Electric Battery Vehicle 1951-55.  
Wales & Edwards 1 ton Electric Van 1953-55.
- 732481 CWX. 6v.  
A.C. Cars Invalid Carriage 1949-53.  
Barrett, W. & F. All-weather Invalid Car 1953-55.  
Dellow Motors Sports Mk. III 1952-54.  
Invacar Invalid Carriage 1951-55.  
Jensen 'Jen-Tug' 30 cwt. Tractor 1950-52.  
Lambourne, C.F. 'Lamb-Kar' 1952-54.  
Larmar Engineering Invalid Carriage 1948-54.  
Lloyd '650' Roadster 1948-50.  
Douglas 'Handyvan' 1949-50.  
Morris 5 cwt. Van 1946-51.  
Reliant 750 c.c. 4 cylinder 3-wheeler 1946-55; 'Regal' Car and 5 cwt. Van 1955-58; 6 cwt. Van and Truck 1954-55.  
Renault 8.3 Car and Van 1947-51.  
Tipper, Frank, Invalid Carriage 1955-56.  
Wessex Industries Delivery Van 1952-55.
- 733071 CW1. 12v.  
Morris Commercial 25/30 cwt. LC3 1946-52; 25/35 cwt. 1946; 35/40, 45/55 and 60/70 cwt., 5 ton Forward Control Tipper and ECV13/3 1946-48; CV10/5 Tippers 1946-48; ECV13/5 (Petrol) and ECV10/5 (Diesel) 1949.
- 733179 CW1. 12v.  
Morris 10 cwt. Van 1946-50.

